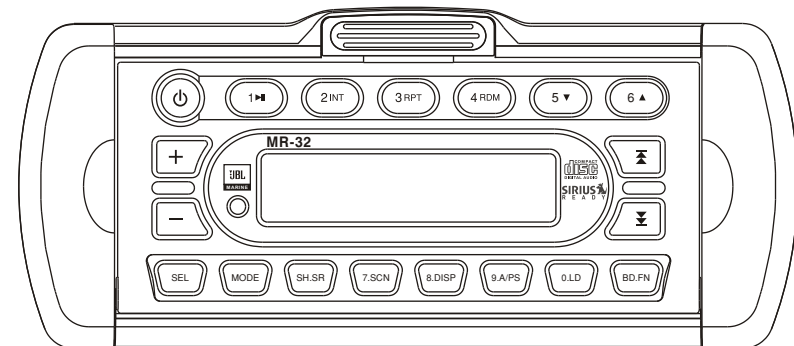




Operation Manual for Users

Model No.: MR-32
Flip Down Face Marine CD Player



!!!!!!! ATTENTION !!!!!!!
THE PRESET BUTTON MUST BE PRESSED
TO ENSURE PROPER OPERATION.
SEE INSTRUCTION MANUAL

This product is sold and serviced exclusively by Prospec Electronics Inc. and must be returned to Prospec for in and out of warranty repairs. It can not be serviced under warranty by other JBL service centers. All products sold and serviced exclusively by Prospec Electronics Inc.
For service contact us : 3325 South Morgans Point Road Mt Pleasant SC 29466
Tel 843-849-9037 Fax 843-849-9054

Revised 12 / May / 06

Trouble shooting guide

INTERFERENCE ON RADIO
<ul style="list-style-type: none"> ▪ Poor atmospheric conditions - Try again later in the day. ▪ Antenna / lead broken or damaged.
DISTORTED AUDIO
<ul style="list-style-type: none"> ▪ Check loudspeaker wiring. This product contains a biamp. It is important not to connect the front loudspeaker ground to the rear speaker ground. ▪ Faulty loudspeaker. ▪ Distortion at highest volume levels may be normal, as amplifier has reached maximum power output. Otherwise the power and ground wire might be too small of a gauge(use 10amp cable or more). ▪ Reduce the bass effect or switch off the loudness mode. ▪ Boat battery and or charging circuit may be faulty.

Specifications

FM TUNER	AM TUNER
Tuning Range : 87.5 -107.9MHz(USA) 87.5 -108MHz(EUR) Sensitivity : 10dB / uV Separation : 30dB	Tuning Range : 530 -1710KHz(USA) 522 -1620KHz(EUR) Sensitivity : 35dB / uV
COMPACT DISC	AUDIO AMP & GENERAL
Freq. Response : 20 Hz-20 KHz Total Harmonic Distortion : 0.8% Signal - Noise Ratio : 65 dB Dynamic Range : 90 dB	Power Output : 4 x 52 watts Power Supply : DC + 12V Negative Ground Speaker Impedance : 4 ohm

Contents

Contents	1
Wiring Identification	2
Opening and closing the front panel	3
Important Notes	4
Identification of Controls and Functions	5
Controls	6-8
Remote Control(Optional)	8
Station Tuning	9
Operating the CD & CD Changer	10
Precautions and Maintenance	11
Trouble Shooting Guide & Specifications	12

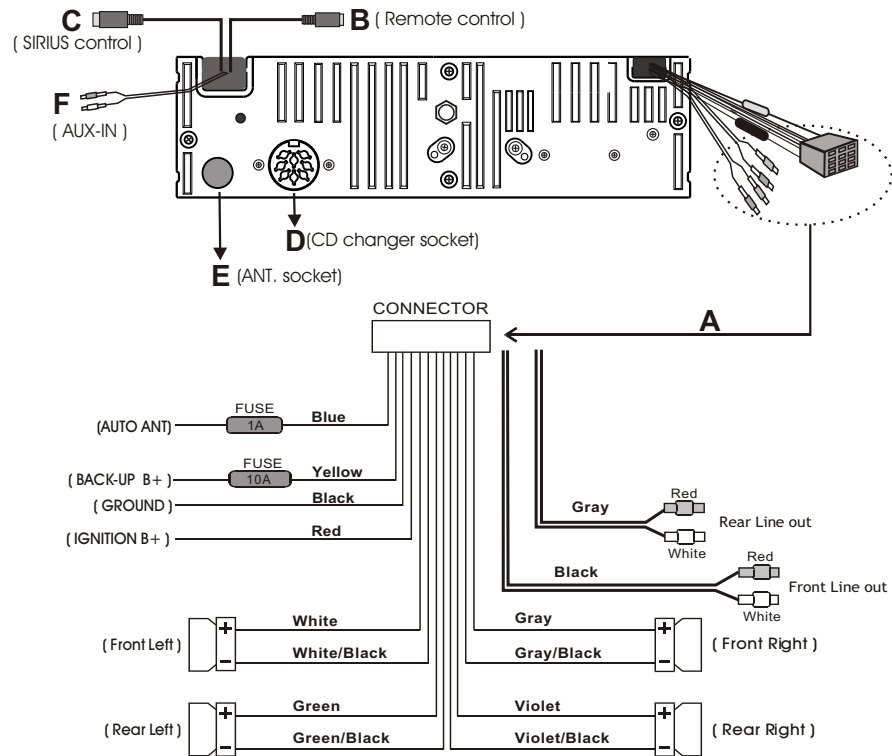
PLEASE NOTE: In order to receive Sirius Satellite Radio broadcast, you must install JBL Sir2.5 as well as a satellite antenna (both sold separately).



What is SIRIUS Satellite Radio?

SIRIUS, headquartered in New York, offers over 120 channels of digital quality radio transmitted across the continental US from three high-tech satellites. Along with offering a full spectrum of music genres, users can also listen to popular news, entertainment and sports channels. SIRIUS currently offers 65 music channels, 24 news channels (including traffic and weather), 7 sports channels (including two dedicated play-by-play channels) and 24 talk / entertainment channels. For more information on SIRIUS, visit siriusradio.com.

Wiring Identification



Installation Notes

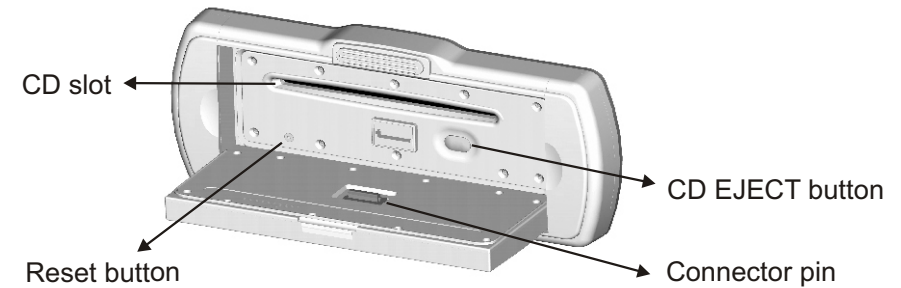
Applicable to both 2 and 4-speaker connection:

- A. Connections**
- B. Din cable connection for remote control**
- C. Din cable connection for SIRIUS control**
- D. CD change socket**
- E. Antenna socket**
- F. AUX-IN**

This radio contains four separate power amplifiers. To prevent possible damage to these amplifiers, please ensure the following:

- i) The boat chassis is not used as a loudspeaker ground(-).
- ii) Front and rear loudspeaker connecting wires are not joined together.
- iii) Any wires not used when completing a two speaker installation are fully insulated.
- iv) The memory wire (yellow) is connected to a permanent + 12V supply.
- v) The power wire (red) is connected via the ignition switch of the boat.

Precautions and Maintenance



1. Reset function

A microprocessor reset button has been provided to facilitate manual resetting of the internal microprocessor in the unlikely event that the player fails to operate correctly. Should it be necessary to reset the microprocessor, simply open the face, remove rubber plug and press reset button.

Note: It will be necessary to re-enter the radio preset memories as these will have been erased when the microprocessor is reset. After resetting the player, ensure that all functions are operating correctly.

2. General Precautions

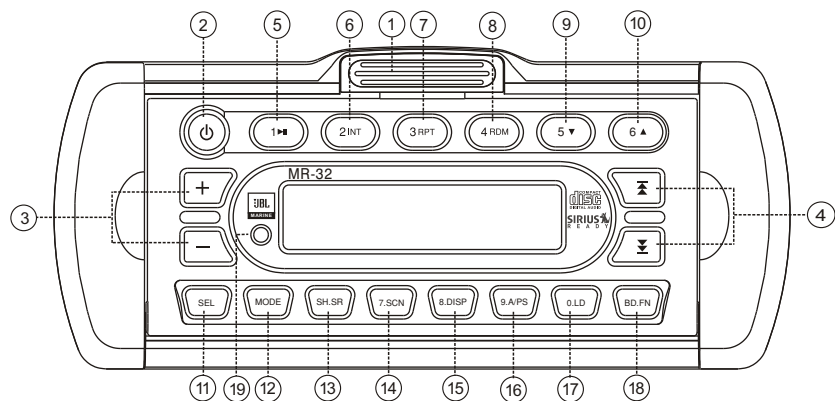
If the unit has become extremely hot, we strongly recommend that you allow it to cool down before using. Take care of your CDs to preserve the quality of the recording. Do not allow them to be exposed to direct sunlight. Store them in a place protected from dirt and dust and avoid handling them with oily, greasy or wet hands. Be sure the CD is put into the CD slot label side up.

3. Caution

CONNECTOR PIN: Always keep connector pin clean.

If the PIN connector looks dirty, use cotton tips to clean it, so as to avoid any unexpected malfunction caused by dirt.

Operating the CD & CD Changer



1. Loading a CD

Open the door by pushing button (1).
Insert a CD label side up into the slot opening, then close the door.
The CD will begin playing automatically after it is loaded.

Notes:

- NEVER insert foreign objects into the CD slot opening.
- If a CD is difficult to insert, there may already be a CD loaded in the unit.
- Some recorded CD-Rs or CD-RWs may not be usable with this CD player.

2. Select the CD->CDC by pressing the **"MODE" button (12)**.

3. Track Tuning (4)

Search the tracks on the DISC with the \updownarrow and \downarrow buttons. If you press and hold the \updownarrow or \downarrow button continuously, the track goes fast - forward \updownarrow or rewinds \downarrow .

4. Play / Pause (5)

Push \square button one time to pause. Push \square button again to resume play.

5. Intro Scan (6)

Press \square button to hear the first 10 seconds of each track on the disc.
Press \square button again to restore the player to its normal play mode.

6. Repeat play button (7)

While playing a desired track, press RPT \square button to play the track repeatedly.
Press RPT \square button again to return to normal play mode.

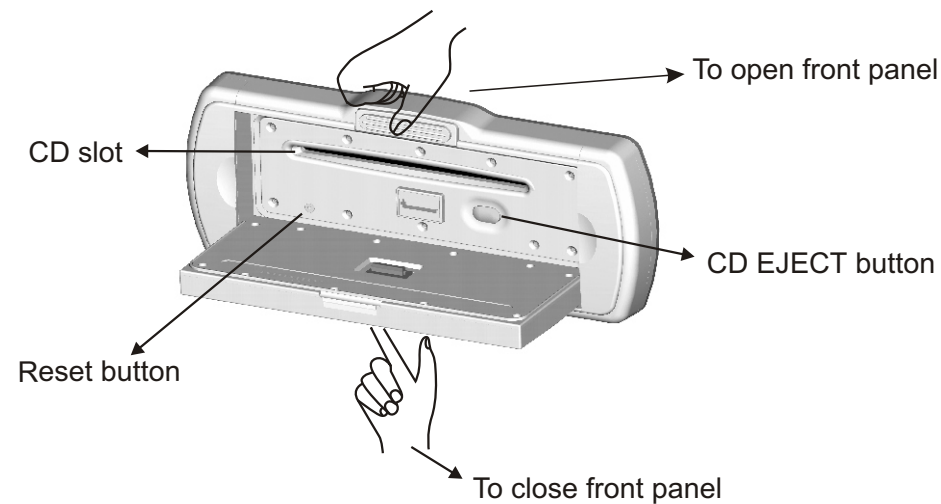
7. Random play button (8)

Press RDM \square button to play all tracks on a CD in random sequence.
Press RDM \square button again to return the player to normal mode.

8. Press **preset button (9) or (10)** to choose the DISC that you would like to play.
(This button works when you install the CD changer to the radio unit. CDC is optional.)

Opening and closing the front panel

1. Push in the release bar to open (fold down) the front panel.



2. To close the front panel, lift the door upward until the front panel is in the original closed position.

Important notes

Prior to the final installation, carry out a sound check. If high distortion or intermittent sound is experienced, it is possible that the wiring from the CD receiver to the boat's electrical system is poor or that the battery needs recharging.

If the battery and its charging circuit are OK, then rewire the yellow fused wire of the CD player directly to the positive terminal (+) of the boat battery.

Marine accessory shops stock the connector blocks and the 10 Amp cable that may be necessary for extending the fuse wire connection.

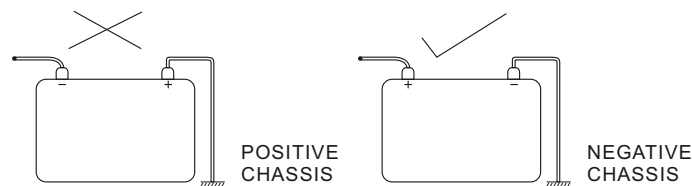
■ Grounding

Make sure that the black wire on the wiring harness is connected to a good ground point on the boat. If the chassis of the boat is used as a grounding point, make sure that the surface is scraped clean of paint before attaching the wire to it.

It is preferable to connect the black ground wire directly to negative terminal (-) of the boat battery.

■ Warning: polarity...

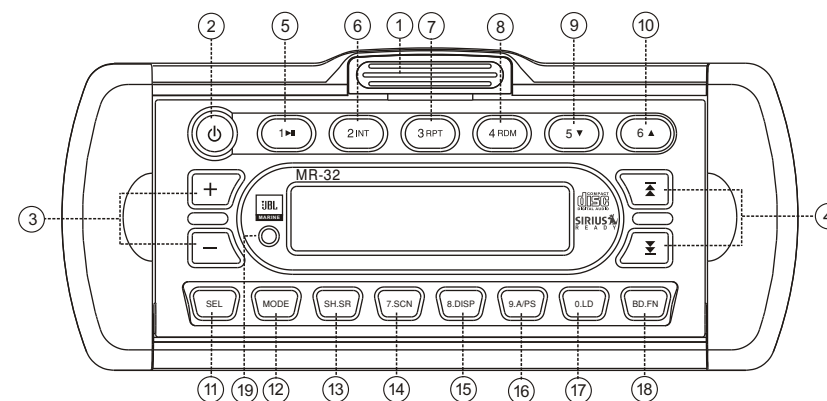
This model is only suitable for use in boats which have a negative ground system, e.g.: the negative terminal of the boat battery is connected to the chassis.



■ Connecting the Speakers and Power Cables

Before you wire your system, disconnect your boat battery's positive (+) cable. This helps prevent damage in case of a short. When you complete the wiring, reconnect the battery cable and test your marine stereo. When connecting your marine stereo's black ground wire, be sure to connect the wire to a metal part of your boat or preferably to the negative (-) terminal of the boat battery.

Station Tuning



1. Manual/Seek tuning buttons (4): Press this button quickly to activate the Seek mode. The Seek mode will automatically seek up or down the wave band and stop at the next station of sufficient signal strength. Press and hold tuning buttons for 2 seconds to enter manual tuning mode. The unit will revert back to Seek mode after 10 seconds without use.

2. Manual Station store: Select the desired band and tune to a radio station to be memorized. Choose the preset button memory location 1-6 into which the station is to be stored and press and hold that preset button for 2 seconds. The station will now be entered into the preset memory. 6 stations can be memorized on each of the FM1, FM2, FM3, AM1, AM2.

3. A/PS - Auto store function (16)

Press and hold button (16) for approximately 2 seconds until you hear a beep to confirm that the memory function is engaged. The unit will "SEARCH" for six strong stations and automatically store them in buttons 1 - 6.

You can override the preset station for any button by manually setting a new frequency.

4. Scan (14)

In Radio mode, press the SCAN button (14) to scan strong stations for previewing. At the desired station, press the SCAN (14) button again to stop scanning.

5. Program Memory Scan

Momentarily press A.PS (16) button to scan for stored stations.

Momentarily press it again to stop scanning.

Controls

7. Adjust the clock / time (15)

- 1) While in RADIO mode, the radio station frequency will display on LCD.
- 2) Press and hold the DISP (15) button until the time flashes on the display.
Press VOL (down) button to set the minutes
Press VOL (up) button to set the hour
- 3) Press the DISP button again quickly to accept the adjusted time.
If no button is pressed within 5 seconds, then it automatically accepts the adjusted time without further intervention from the user.

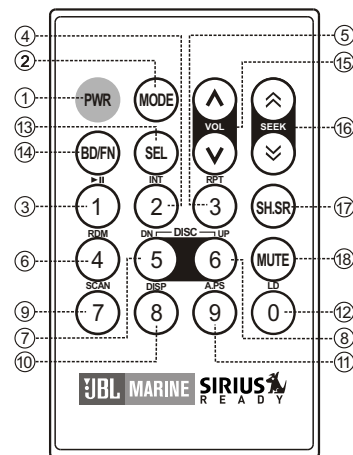
8. Loudness function (17)

In order to emphasize the bass and the treble at low volume, press the LD (17) button. To turn off loudness press the LD button again.
In SIRIUS mode, press SH.SR (13) button, when you see the SHIFT displays on LCD, then press LD button to emphasize the sound and press it again to turn off loudness function.

Remote Control (Option)

A. Function and Name

1. Power on/off button
2. MODE button
< Radio -> CD -> CDC -> SIRIUS -> AUX-IN >
3. CD Play/Pause / preset 1 button
4. CD Intro Scan button / preset 2 button
5. CD Repeat Track button / preset 3 button
6. CD Random play button / preset 4 button
7. DISC DOWN (CDC) / preset 5 button
8. DISC UP (CDC) / preset 6 button
9. SCAN button (# 7 SIRIUS only)
10. DISP button (# 8 SIRIUS only)
11. A.PS (Auto Preset Scan) button (# 9 SIRIUS only)
12. LOUD (loudness) button (# 0 SIRIUS only)
13. SEL (Select) button
14. BD/FN button
15. VOLUME UP/DOWN button
16. Radio Tune UP/DOWN, CD Track UP/DOWN
17. SH.SR (SHIFT / SCROLL) button
18. MUTE button

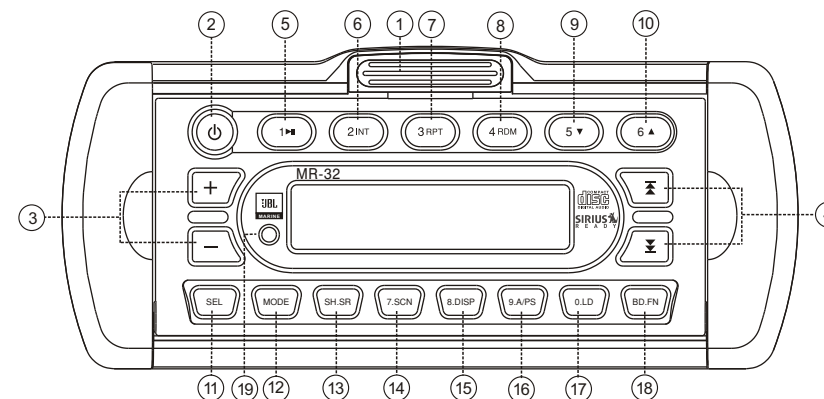


B. How to exchange the battery

Open the cover of the back of remote marked Battery.
Place battery as indicated on the back of the remote noting polarity.

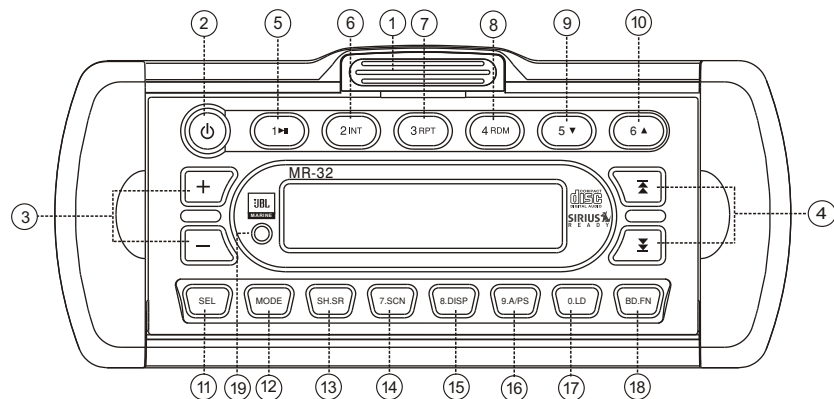
* Replacement Battery : Cr2025

Identification of controls and functions



1. Front panel release button
2. POWER ON / OFF button
3. Volume control (adjustment-audio control button)
4. Radio tune UP / DOWN button, CD track UP / DOWN button
5. CD play / pause button, preset 1 button
6. CD intro scan button, preset 2 button
7. CD repeat track button, preset 3 button
8. CD random play button, preset 4 button
9. Disc down (CD change), preset 5 button
10. Disc up (CD change), preset 6 button
11. Electronic function SELECT button
(VOL, BASS, TREBLE, BALANCE, FADER)
12. MODE button <Radio -> CD -> CDC -> SIRIUS -> AUX-IN>
13. SH.SR (SHIFT / SCROLL) button (SIRIUS only)
14. SCAN button (# 7 SIRIUS only)
15. DISP (display) button (# 8 SIRIUS only)
16. A/PS - Auto Preset Scan button (# 9 SIRIUS only)
17. LOUD (loudness) button (# 0 SIRIUS only)
18. BD.FN button
19. Remote sensor hole

Controls



1. POWER ON/OFF button (2)

Push the PWR button (2) to turn on the unit. Push the button again to turn off the unit.

2. SELECT button (11)

1) Audio control (VOLUME / BASS / TREBLE / BALANCE / FADER)

Press key quickly to select the following features:

"VOL" display - volume control > press key (11)>

"BAS" display - bass tone control >press key (11)>

Press VOL/DW button to lower the bass.

Press VOL/UP button to increase the bass.

"TRB" display - treble tone control > press key (11)>

Press VOL/DW button to lower the treble.

Press VOL/UP button to increase the treble.

"BAL" display - balance control > press key (11)>

Press VOL/DW button to decrease the right speaker volume.

Press VOL/UP button to increase the left speaker volume.

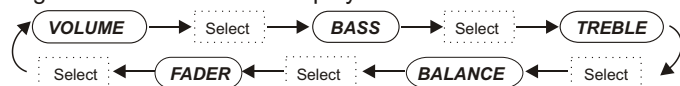
"FAD" display - fader control > press key (11)>

Press VOL/DW button to decrease volume level of anyspeakers connected the rear channel.

Press VOL/UP button to decrease the volume level of any speakers connected the front channel.

Then use the Volume control buttons to adjust. If no buttons are pressed within 5 seconds, the radioautomatically returned to the last display mode of Radio, or CD mode.

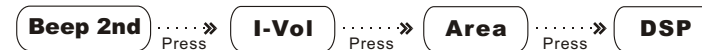
These settings are indicated on the display window.



Controls

2) Beep 2nd, I-VOL, Area and DSP Selection

When the SEL button (11) is pressed over 2 seconds, the unit will be operated as below:



a. Beep 2nd

On the beep 2nd, you can control the Beep on or Beep 2nd by pressing the VOL/DW or VOL/UP button.

- Beep on: You can hear "beep" sound when you press all buttons.

- Beep 2nd: You can hear "beep" sound when you press the button over 1.5 seconds.

b. I-Vol

By pressing the SEL button again, the unit will be in I-VOL mode (Initial Volume Level Adjustment). You can adjust the I-Vol to the level you want by turning the VOL button. After setting the initial level, when the unit is power on/off, detach on/off, and ACC on/off, the I-VOL will keep the volume adjusted to the preset level when unit is turned on.

c. Area Selection

By pressing SEL button again, the unit will be in Area Selection mode.

Press and hold BD/FN button for 2 seconds to confirm selection..

d. DSP

Choose from flat, classic, pop or rock by pressing the SEL button again. Adjust with VOL button.

3. Volume control

Press VOL (down/up) button to decrease or increase the volume level. Switching on your radio automatically allows you to set the volume level without having to select it first. Simply use the VOL(down/up) buttons to set the required level.

4. "MODE" button (12)

Press this MODE button (12) less than 1.5 seconds to operate the mode you want. SIRIUS mode is operated the same way.

Radio → CD → CDC → SIRIUS → AUX-IN → Radio ---> repeatedly.

5. BD.FN button (18)

In radio mode, pressing the BD.FN button quickly will shift FM/AM bands
FM1 → FM2 → FM3 → AM1 → AM2

In SIRIUS mode, press BD.FN button to select SSR1, SSR2 or CATEGORY.