



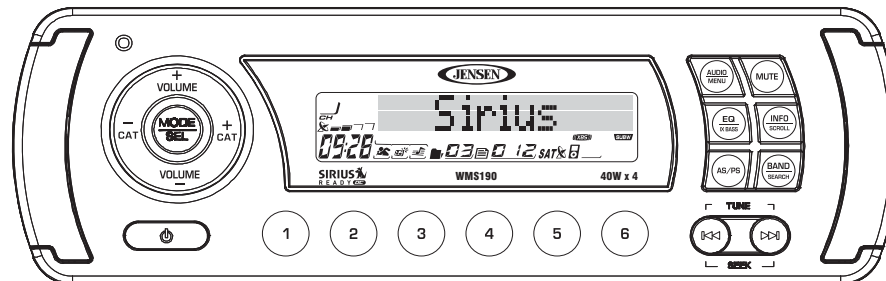
M A R I N E

WMS190

MARINE AUDIO SYSTEM

Installation and Operation Manual

Manual de la Instalación y Operación / Guide d'installation et d'opération



CONTENTS

Safety Information 1
Installation 2
Wiring..... 3
Basic Operation 4
Tuner Operation 6
Sirius Radio Operation 7
Care and Maintenance..... 8
Troubleshooting..... 8
Specifications 9

CONTENIDO

Información de Seguridad..... 11
Instalación 12
Cableado..... 13
Operación Básica 14
Operación del Sintonizador 16
Operación de Radio Sirius 17
Cuidado y Mantenimiento 18
Solución de Problemas 18
Especificaciones..... 19

TABLE DES MATIÈRES

Informations sur la securite..... 21
Installation 22
Cablage 23
Operation de base..... 24
Operation tuner 26
Operation radio Sirius 27
Soin et entretien..... 28
Dépannage 28
Specifications 29

SAFETY INFORMATION

When Boating

Keep the volume level low enough to be aware of your surroundings.

Protect from Water

Do not submerge the product directly in water, as this can cause electrical shorts, fire or other damage.

Protect from High Temperatures

Exposure to direct sunlight for an extended period of time can produce very high temperatures inside your vessel. Give the interior a chance to cool down before starting playback.

Do not mount radio within close proximity of engine compartment.

Use the Proper Power Supply

This product is designed to operate with a 12 volt DC negative ground battery system.

WARNING:

- TO REDUCE THE RISK OF FIRE OR ELECTRIC SHOCK, DO NOT SUBMERGE THIS EQUIPMENT DIRECTLY IN WATER.
- TO REDUCE THE RISK OF FIRE OR ELECTRIC SHOCK AND INTERFERENCE, USE ONLY THE RECOMMENDED ACCESSORIES.

INSTALLATION

Before You Begin

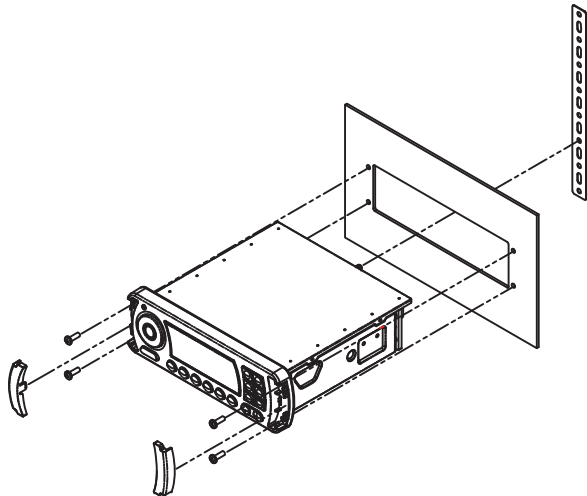
Before you begin, always disconnect the battery negative terminal.

Important Notes

- Before final installation, test the wiring connections to make sure the unit is connected properly and the system works.
- Use only the parts included with the unit to ensure proper installation. The use of unauthorized parts can cause malfunctions.
- Consult with your nearest dealer if installation requires the drilling of holes or other modifications to your vessel.
- Install the unit where it does not interfere with driving and cannot injure passengers if there is a sudden or emergency stop.
- Avoid installing the unit where it will be subject to high temperatures from direct sunlight, hot air, or where it would be subject to excessive dust, or dirt.

DIN Front Mount

1. Check the dashboard opening size by sliding the radio into it. If the opening is not large enough, carefully cut or file as necessary until the radio slides into the opening. Check that there will be sufficient space behind the dashboard for the radio chassis.



CAUTION: *The rear of the radio must be supported with the strap to prevent damage to the radio and supporting structures.*

2. Place the radio in front of the dashboard opening so the wiring can be brought through the opening.
3. Follow the wiring diagram carefully and make certain all connections are secure to ensure proper operation.

4. After completing the wiring connections, turn the unit on to confirm operation (vessel accessory switch must be on). If the unit does not operate, recheck all wiring until the problem is corrected. Once proper operation is achieved, turn the accessory switch off and proceed with final mounting of the chassis.
5. Carefully slide the radio into the opening, making sure it is right-side-up.
6. Secure the radio to the dashboard using the screws provided.
7. Replace the covers on either side of the radio.
8. Attach one end of the perforated support strap (supplied) to the screw stud on the rear of the chassis using the hex nut and spring washer provided. Fasten the other end of the perforated strap to a secure part of the dashboard either above or below the radio using the screw and plain washer provided. Bend the strap, as necessary, to position it.
9. Test radio operation by referring to the operating instructions for the unit.

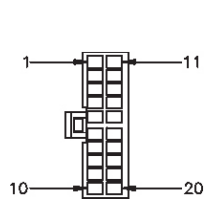
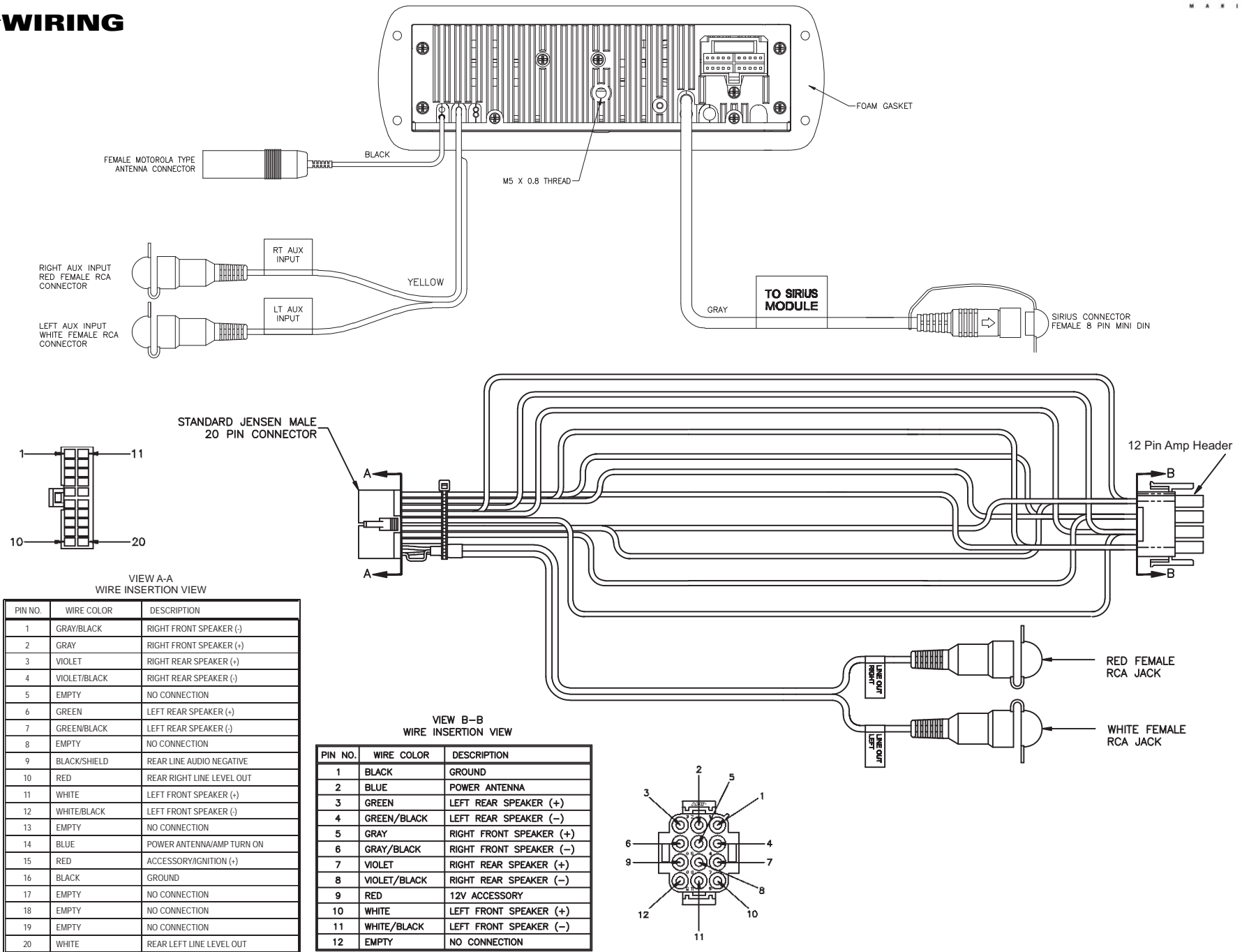
Removing the Unit

To remove the radio after installation, remove the covers and unscrew the installation screws, and then pull the radio out.

Reconnect Battery

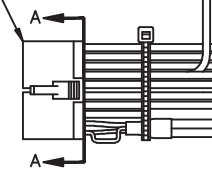
When wiring is complete, reconnect the battery negative terminal.

WIRING



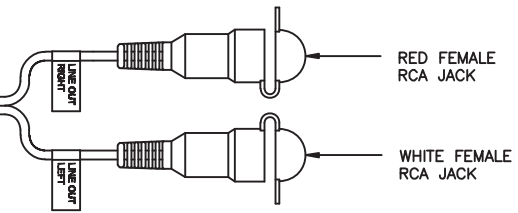
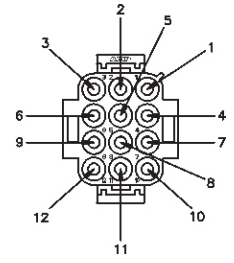
VIEW A-A
WIRE INSERTION VIEW

PIN NO.	WIRE COLOR	DESCRIPTION
1	GRAY/BLACK	RIGHT FRONT SPEAKER (-)
2	GRAY	RIGHT FRONT SPEAKER (+)
3	VIOLET	RIGHT REAR SPEAKER (+)
4	VIOLET/BLACK	RIGHT REAR SPEAKER (-)
5	EMPTY	NO CONNECTION
6	GREEN	LEFT REAR SPEAKER (+)
7	GREEN/BLACK	LEFT REAR SPEAKER (-)
8	EMPTY	NO CONNECTION
9	BLACK/SHIELD	REAR LINE AUDIO NEGATIVE
10	RED	REAR RIGHT LINE LEVEL OUT
11	WHITE	LEFT FRONT SPEAKER (+)
12	WHITE/BLACK	LEFT FRONT SPEAKER (-)
13	EMPTY	NO CONNECTION
14	BLUE	POWER ANTENNA/AMP TURN ON
15	RED	ACCESSORY/IGNITION (+)
16	BLACK	GROUND
17	EMPTY	NO CONNECTION
18	EMPTY	NO CONNECTION
19	EMPTY	NO CONNECTION
20	WHITE	REAR LEFT LINE LEVEL OUT

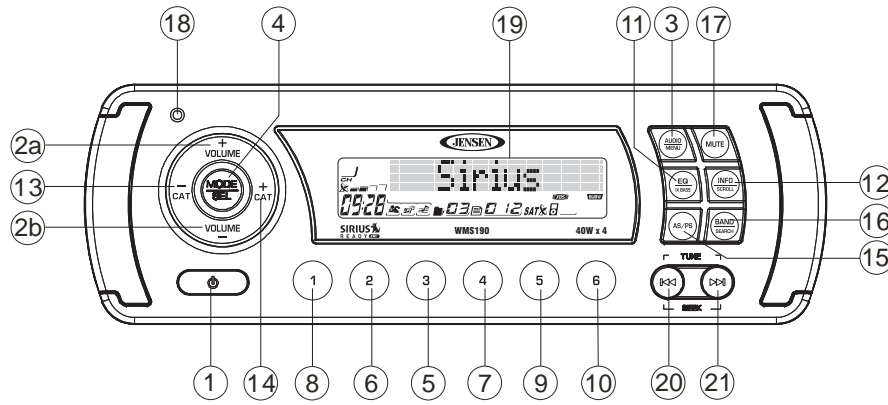


VIEW B-B
WIRE INSERTION VIEW

PIN NO.	WIRE COLOR	DESCRIPTION
1	BLACK	GROUND
2	BLUE	POWER ANTENNA
3	GREEN	LEFT REAR SPEAKER (+)
4	GREEN/BLACK	LEFT REAR SPEAKER (-)
5	GRAY	RIGHT FRONT SPEAKER (+)
6	GRAY/BLACK	RIGHT FRONT SPEAKER (-)
7	VIOLET	RIGHT REAR SPEAKER (+)
8	VIOLET/BLACK	RIGHT REAR SPEAKER (-)
9	RED	12V ACCESSORY
10	WHITE	LEFT FRONT SPEAKER (+)
11	WHITE/BLACK	LEFT FRONT SPEAKER (-)
12	EMPTY	NO CONNECTION



BASIC OPERATION



Power On/Off

Press any button on the front panel to turn the unit on. Press the **POWER** button (1) to turn the unit off. The **POWER** button is illuminated whenever the IGN lead (red wire) is powered, regardless of whether the unit is on or off.

Volume Control

To increase the volume, press the **VOL +** button (2a). To decrease the volume, press the **VOL -** button (2b).

Mute

Press the **MUTE** button (17) on the control panel to mute the audio output. Press **MUTE** again to restore the audio output to the previous level.

Mode

Press the **MODE** button (4) on the control panel to select a different mode of operation, as indicated on the display panel. Available modes include Tuner, SIRIUS and AUX In (optional Auxiliary Input).

NOTE: SIRIUS mode will be skipped if the module is not installed.

Reset

The reset button (18) should be activated for the following reasons:

- initial installation of the unit when all wiring is completed
- function buttons do not operate
- error symbol on the display

Use a ball point pin or thin metal object to press the **RESET** button (18). This may be necessary should the unit display an error code.

You can recover factory default settings using the **RESUME** function located on the system menu. With "YES" flashing, press the **MODE** button (4) to activate.

Audio Menu

Press the **AUDIO** button (3) on the control panel to access the audio menu. You can navigate through the audio menu items by pressing the **AUDIO** button repeatedly. Once the desired menu item appears on the display, adjust that option by pressing the **VOL +/-** buttons (2) within 5 seconds. The unit will automatically exit the audio menu after five seconds of inactivity. The following menu items can be adjusted.

Bass Level

Use the **VOL** buttons to adjust the Bass level range from "-6" to "+6".

Treble Level

Use the **VOL** buttons to adjust the Treble level range from "-6" to "+6".

Balance

Use the **VOL** buttons to adjust the Balance between the left and right speakers from "L12" (full left) to "R12" (full right).

Fader

Use the **VOL** buttons to adjust the Fader between the rear and front speakers from "R12" (full rear) to "F12" (full front).

System Menu

1. Press and hold the **AUDIO** button (3) for more than 3 seconds to enter the system menu. "MENU" will appear on the display, followed by the first menu item, "CONTRAST."
2. Press the **TUNE/TRK >>|** or **|<<** button (21, 20) or press the **AUDIO** button repeatedly to navigate the system menu and select the desired item.
3. Press the **VOL +/-** buttons (2) to adjust the selected menu item.
4. Press the **AS/PS** button to return to the previous operation immediately or wait for 5 seconds to return automatically.

The following items can be adjusted:

- **CONTRAST** (0 – 10): Set LCD contrast.
- **LOW BATT** (ON/OFF): Monitor voltage on ACC line.
- **DISTANT/LOCAL**: Select LOCAL for tuner to access local stations whose signals are much stronger. Select DISTANT to receive all broadcasts in your area.
- **AREA** (USA/LATIN/EUROPE): Set frequency spacing for various regions.
- **VOL PGM** (0 – 46): Select an automatic turn-on volume.
- **BEEP TONE** (ON/OFF): Turn the audible beep ON/OFF (heard when functions/buttons are selected). *NOTE: Beep tone off will not affect LOW BATT audible tone.*
- **RESUME**: Return the EEPROM to factory default set up values and reset the Sirius Tuner Settings. "Yes" will blink on the LCD to confirm. Press **MODE** to select.

LOW BATTERY Operation

If **LOW BATT** is set to "ON", a alarm will sound (8 beeps every 30 sec) when the voltage drops to 10.8V (+/- 0.03V). A visual warning (LOBA) will appear flashing (8 flashes every 30 sec) in the lower left corner of the LCD display.

NOTE: "OFF" is the default setting for LOW BATT. If the audio is muted or the volume is set to 0, the audible beep will not be heard.

Equalizer

Press the **EQ** button (11) to turn on the equalization function and select between five pre-defined bass and treble curves: OFF > POP > JAZZ > CLASSIC > BEAT > ROCK.

iX-Bass

Press and hold the **EQ/iX-BASS** button (11) toggle loudness on/off. When listening to music at low volumes, this feature will boost the bass and treble ranges to compensate for the characteristics of human hearing.

Auxiliary Input

To access an auxiliary device:

1. Connect the portable audio player to the AUX IN line in on the back of the unit.
2. Press the **MODE** button (4) to select Aux In mode.
3. Press **MODE** again to cancel Aux In mode and go to the next mode.

Liquid Crystal Display (LCD)

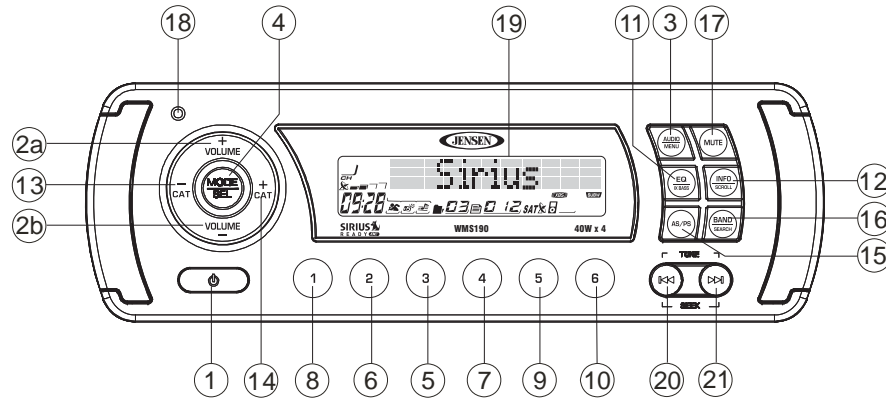
The current frequency and activated functions are shown on the LCD panel (19).

NOTE: LCD panels may take longer to respond when subjected to cold temperatures for an extended period of time. In addition, the visibility of the numbers on the LCD may decrease slightly. The LCD display will return to normal when the temperature increases to a normal range.

Scroll

When the information is too long to be displayed on the LCD, *press and hold* the **INFO/SCROLL** button (12) to view the entire title. The information will scroll twice and then return to abbreviated text.

TUNER OPERATION



Preset Scan

Select a band (if needed). Press **AS/PS** (15) to scan stations stored in the current band. The unit will pause for ten seconds at each preset station. Press **AS/PS** again to stop scanning when the desired station is reached.

Select a Band

Press the **BAND** button (16) to change between three FM bands and two AM (MW) bands.

Manual Tuning

Press the **TUNE/TRK >>|** or **|<<** buttons (20, 21) to seek stations up/down step by step.

Auto Seek Tuning

Press and hold the **TUNE/TRK >>|** or **|<<** buttons (20, 21) to automatically seek the next or previous strong station.

Preset Stations

Six numbered preset buttons store and recall stations for each band.

Store a Station

Select a band (if needed), then select a station. *Press and hold* a preset button (5-10) for two seconds. The preset number will appear in the display.

Recall a Station

Select a band (if needed). Press a preset button (5-10) to select the corresponding stored station.

Automatically Store / Preset Scan (AS/PS)

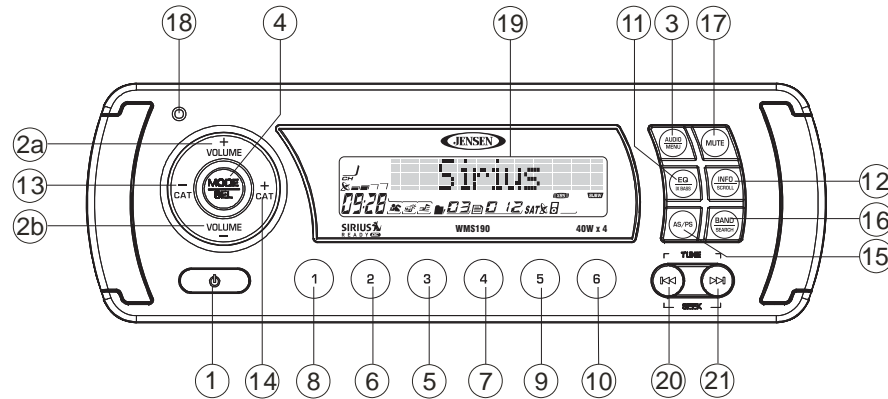
Automatically Store

Select a band (if needed). *Press and hold* the **AS/PS** (15) button for more than three seconds to automatically select six strong stations and store them in the current band. The new stations replace any stations already stored in that band.

NOTE: During Auto Store (AS), the tuner will default to "Local" mode while scanning the band initially. After scanning the entire band once, the unit will switch to "Distant" mode for all subsequent Auto Store tuning.

SIRIUS RADIO OPERATION

NOTE: Access to Sirius® satellite radio requires installation of a separate Sirius tuner and antenna. Listeners can subscribe to Sirius radio on the internet by visiting www.sirius.com, or by calling (888) 539-SIRIUS. Customers should have their Sirius ID ready (Sirius ID is located on the Sirius tuner, sold separately). Customers can listen to music samples by tuning to channel 184.



Switching to SIRIUS Mode

Press the **MODE** button (4) to change the mode to Sirius radio mode.

Accessing your SIRIUS ID

1. In Sirius mode, *press and hold* the **BAND/SEARCH** button (16) to select DIRECT mode.
2. Press the **MODE** button (4) to activate Direct mode.
3. Press the **MODE** button for each digit to enter "000".
4. Press **MODE** again to confirm. This will display the Sirius ID number for your tuner.
5. The Sirius ID number will scroll twice and then freeze with the first 11 digits on the display. Press the **INFO/SCROLL** button (12) to display the remaining digit.

Selecting a Band

In Sirius mode, press the **BAND** button (16) to access the Sirius user-preset channel groups in the following order: S1, S2, S3.

Category Tuning

1. Press the **CAT +/-** buttons (13/14) to change the category. Each category title and song title will be displayed in increments.
2. While in the category mode, press the **CAT +/-** buttons again to view category names. (The lowest channel number within the chosen category will always be the default first channel tuned.)
3. Press the **MODE** button (4) or the **TUNE/TRK |<< / >>|** buttons (20/21) to choose desired channels in that category.
4. Press the **TUNE/TRK** buttons to select a channel within the chosen category.

5. Press **MODE** to confirm channel selection.

Channel Up/Down Tuning

Press the **TUNE/TRK |<< / >>|** buttons (20/21) to search for a channel. *Press and hold* the **TUNE/TRK** buttons to fast search.

Storing Preset Channels

The preset buttons (5-10) can be used to store 6 channels, allowing convenient access to your favorite channels.

Programming Channels

1. Select the channel you want to store in memory.
2. *Press and hold* a preset button (5-10) until the corresponding preset button number appears.
3. Repeat steps 1 and 2 to program additional channels.

Quick Tuning

Press one of the six preset buttons (5-10) to select a preset channel directly.

Channel Direct Access Searching

1. *Press and hold* the **BAND/SEARCH** button (16) to access Direct Tune mode. "DIRECT-T" appears on the display for a few seconds.
2. Press the **MODE** button (4) to confirm.
3. Press the **TUNE/TRK |<< / >>|** buttons (20/21) to move between the three digits.
4. Use the **VOL +/-** buttons (2) to select a number for each position.
5. Press the **MODE** button to confirm each digit.
6. Press the **MODE** button again to tune to the selected file.

Alternate Display Information

Press **INFO/SCROLL** button (12) to change the display information in the following order: ARTIST NAME > SONG TITLE > CATEGORY > CHANNEL NAME.

Satellite Signal Strength

The display will indicate satellite reception strength as shown below.

Signal Strength	Strength Display
No Signal	& - - - -
Weak	& - - - -
Good	& - - - -
Excellent	& - - - -

CARE AND MAINTENANCE

- Keep the product dry. If it does get wet, wipe it dry immediately. Liquids might contain minerals that can corrode the electronic circuits.
- Keep the product away from dust and dirt, which can cause premature wear of parts.
- Handle the product gently and carefully. Dropping it can damage circuit boards and cases, and can cause the product to work improperly.
- Wipe the product with a dampened cloth occasionally to keep it looking new. Do not use harsh chemicals, cleaning solvents, or strong detergents to clean the product.
- Use and store the product only in normal temperature environments. High temperature can shorten the life of electronic devices, damage batteries, and distort or melt plastic parts.

Ignition

The most common source of noise in reception is the ignition system. This is a result of the radio being placed close to the ignition system (engine). This type of noise can be easily detected because it will vary in intensity of pitch with the speed of the engine.

Usually, the ignition noise can be suppressed considerably by using a radio suppression type high voltage ignition wire and suppressor resistor in the ignition system. (Most vessels employ this wire and resistor but it may be necessary to check them for correct operation.) Another method of suppression is the use of additional noise suppressors. These can be obtained from most electronic supply shops.

Interference

Radio reception in a moving environment is very different from reception in a stationary environment (home). It is very important to understand the difference.

AM reception will deteriorate when passing under a bridge or when passing under high voltage lines. Although AM is subject to environmental noise, it has the ability to be received at great distance. This is because broadcasting signals follow the curvature of the earth and are reflected back by the upper atmosphere.

TROUBLESHOOTING

Symptom	Cause	Solution
No power	The vessel's power is not on	If the power supply is properly connected to the vessel's accessory terminal, switch the ignition key to "ACC".
	The fuse is blown	Replace the fuse.
No sound	Volume too low or Mute is on	Adjust volume to audible level.
	Fader is set incorrectly	Press AUDIO button to access menu and adjust FADER setting.
	Wiring is not properly connected	Check wiring connections.
Unit unresponsive	The built-in microcomputer is not operating properly	Set RESUME in menu.
Cannot tune to radio station, auto-seek does not work	The antenna cable is not connected.	Insert the antenna cable firmly.
	The signals are too weak.	Select a station manually.

SPECIFICATIONS

FM Radio

Frequency Range (USA)	87.5 to 107.9 MHz
Frequency Range (Europe)	87.5 to 108 MHz
Sensitivity (S/N=30dB)4 μ V
Image Rejection	>45 dB
Stereo Separation	>25 dB

AM/MW

Frequency Range (USA)	530-1710 kHz
Frequency Range (Europe)	522-1620 kHz
Sensitivity (S/N=20dB)	36 dB

General

Operating Voltage	DC 12 Volts
Grounding System	Negative Ground
Speaker Impedance	4-8 ohms per channel
Tone Controls:	
Bass (at 100 Hz)	: \pm 10 dB
Treble (at 10 kHz)	: \pm 10 dB
Power Output	40W x 4
Current Drain	15 Ampere (max.)
Dimensions	178 x 20.5 x 68.5mm

INFORMACIÓN DE SEGURIDAD

Cuando Navegue

Mantenga el volumen lo suficientemente bajo para escuchar a su alrededor.

Protéjalo del Agua

No sumerja o sumérjase el producto directamente al agua, pues puede causar cortos eléctricos, incendios o daños.

Protéjalo contra las Altas Temperaturas

Exposición a luz solar directa por un periodo extendido de tiempo puede producir muy altas temperaturas dentro de su buque. Deje que el interior se enfríe antes de iniciar la reproducción.

No monte un radio en las proximidades del compartimiento del motor.

Utilice la Alimentación de Energía Adecuada

Este producto está diseñado para operar con un sistema de baterías de 12 voltios de Corriente Continua negativa conectado a tierra.

ADVERTENCIA:

- PARA REDUCIR EL RIESGO DE INCENDIO O CHOQUE ELÉCTRICO, NO SUMÉRJASE ESTE EQUIPO DIRECTAMENTE AL AGUA.
- PARA REDUCIR EL RIESGO DE INCENDIO O CHOQUE ELÉCTRICO E INTERFERENCIA, UTILICE SOLAMENTE LOS ACCESORIOS RECOMENDADOS.

INSTALACIÓN

Antes de Empezar

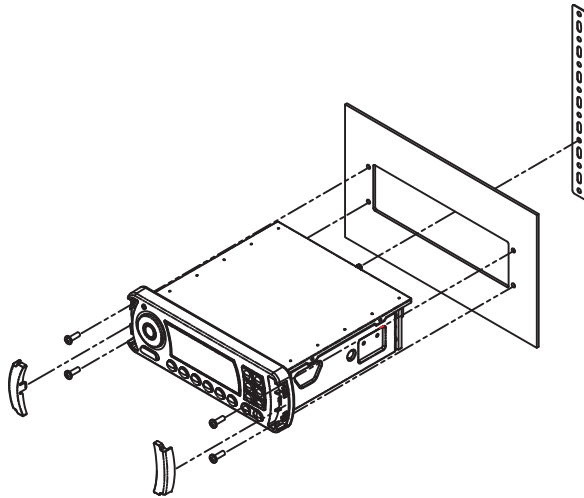
Antes de empezar, siempre desconecte el terminal negativo de la batería.

Notas Importantes

- Antes de la instalación final, pruebe las conexiones de cables para asegurarse de que la unidad esté conectada adecuadamente y el sistema funcione.
- Utilice solamente las partes incluidas con la unidad para asegurarse una instalación adecuada. El uso de partes no autorizadas puede causar mal funcionamiento.
- Consulte su revendedor más cercano si la instalación requiere taladrar agujeros u otras modificaciones a su buque.
- Instale la unidad donde no interfiera con el manejo y no pueda herir a ningún pasajero si se frena repentinamente o de emergencia.
- Evite instalar la unidad donde sea sometida a altas temperaturas debido a luz directa del sol, o donde reciba polvo o suciedad en exceso.

Montaje Delantero de DIN

1. Verifique el tamaño de abertura de consola deslizando la radio dentro de ella. Si la abertura no es lo suficientemente grande, corte o lime cuidadosamente como sea necesario hasta que la radio se deslice dentro de la abertura. Verifique que habrá suficiente espacio detrás de la consola para el chasis de la radio.



PRECAUCIÓN: La parte trasera de la radio debe ser soportada con la tira para evitar daños a la radio y estructuras de soporte.

2. Coloque la radio en el frente de la abertura de la consola de forma tal que el cableado pueda pasarse por la abertura.

3. Siga cuidadosamente el diagrama de cableado y asegúrese que todas las conexiones están firmes para asegurar un funcionamiento correcto.
4. Después de completar las conexiones de cableado, encienda la unidad para confirmar el funcionamiento (el interruptor de accesorios de embarcación debe estar encendido). Si la unidad no funciona, vuelva a verificar todo el cableado hasta que se corrija el problema. Una vez logrado el correcto funcionamiento, apague el interruptor de accesorios y proceda con el montaje final del chasis.
5. Deslice cuidadosamente la radio dentro de la abertura, asegurándose que esta en la posición correcta.
6. Asegure la radio a la consola usando los tornillos provistos.
7. Vuelva a colocar las cubiertas a cada lado de la radio.
8. Sujete un extremo de la tira de soporte perforada (provista) al tornillo en la parte posterior del chasis usando la tuerca hexagonal y la arandela de presión provista. Sujete el otro extremo de la tira perforada a la consola arriba o debajo de la radio usando el tornillo y la arandela plana provista. Doble la tira, como sea necesario, para posicionarla.
9. Pruebe el funcionamiento de la radio refiriéndose a las instrucciones de funcionamiento para la unidad.

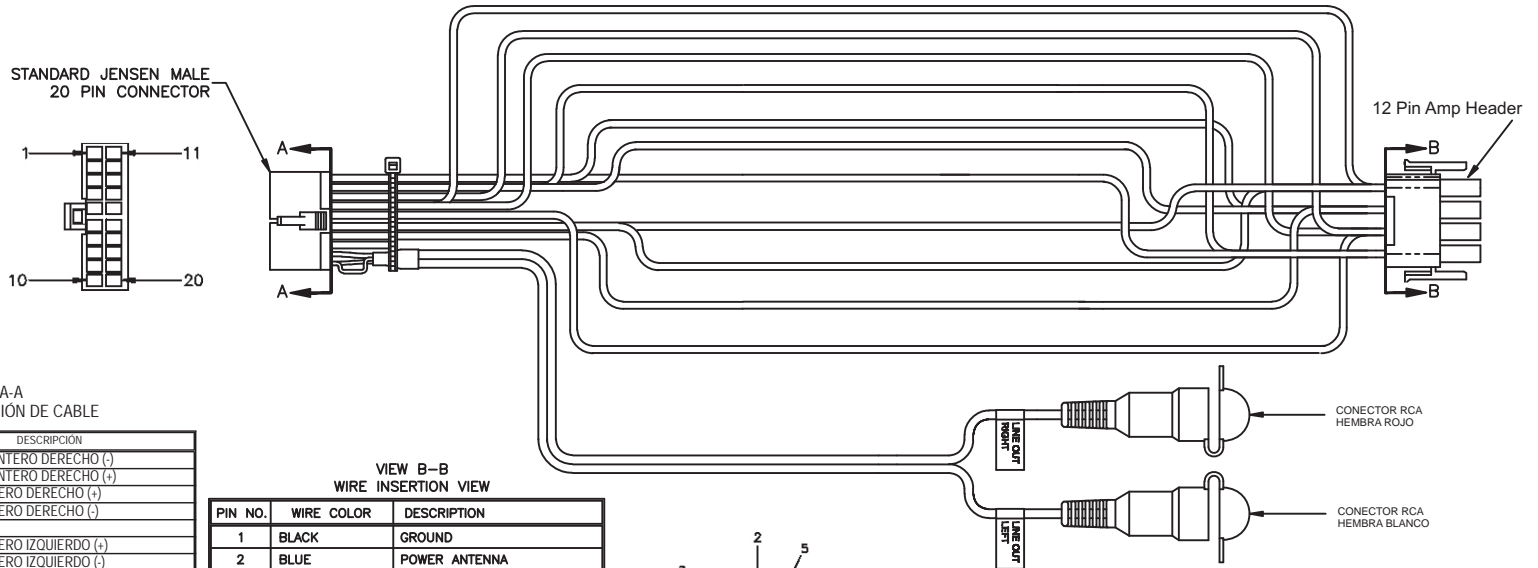
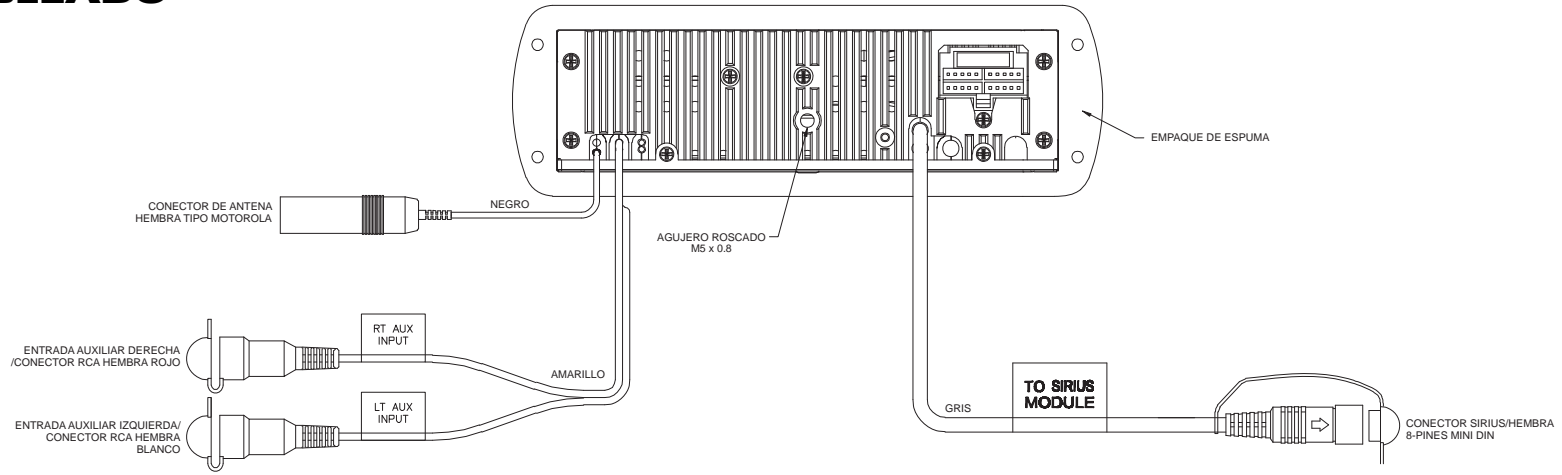
Como quitar la unidad

Para quitar la radio después de la instalación, quite las cubiertas y desatornille los tornillos de instalación, y luego quite la radio.

Reconecte la Batería

Cuando el cableado se complete, reconecte el terminal negativo de la batería.

CABLEADO

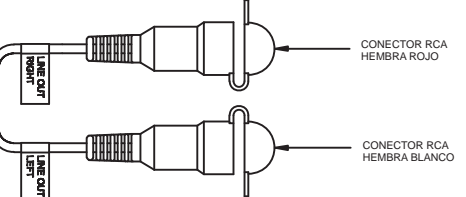
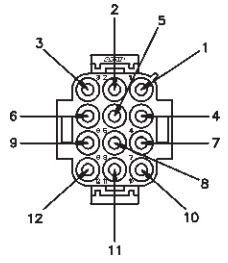


VISTA A-A
VISTA DE INSERCIÓN DE CABLE

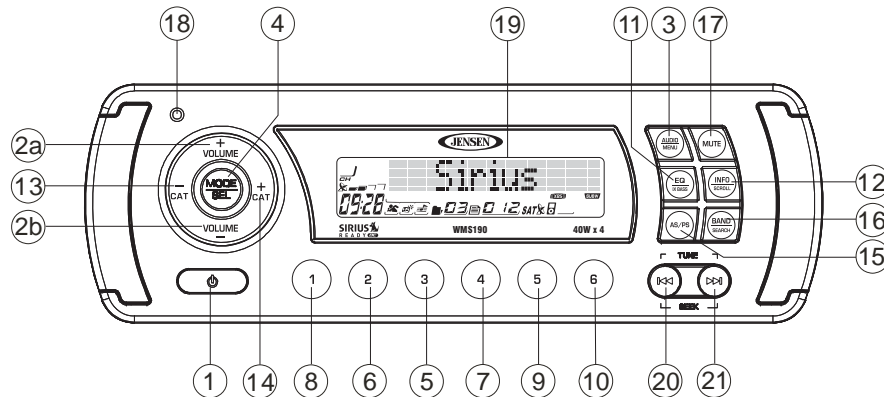
PIN	COLOR ALAMBRE	DESCRIPCION
1	GRIS/NEGRO	ALTAVOZ DELANTERO DERECHO (-)
2	GRIS	ALTAVOZ DELANTERO DERECHO (+)
3	VIOLETA	ALTAVOZ TRASERO DERECHO (+)
4	VIOLETA/NEGRO	ALTAVOZ TRASERO DERECHO (-)
5	VACIO	SIN CONEXION
6	VERDE	ALTAVOZ TRASERO IZQUIERDO (+)
7	VERDE/NEGRO	ALTAVOZ TRASERO IZQUIERDO (-)
8	VACIO	SIN CONEXION
9	NEGRO/SHIELD	LINEA DE AUDIO NEGATIVA TRASERA
10	ROJO	LINEA DE NIVEL DE SALIDA DERECHA TRASERA
11	BLANCO	ALTAVOZ DELANTERO IZQUIERDO (+)
12	BLANCO/NEGRO	ALTAVOZ DELANTERO IZQUIERDO (-)
13	VACIO	SIN CONEXION
14	AZUL	ANTENA DE ENERGIA/AMPLIFICADOR GIRE
15	ROJO	IGNICION ACCESORIA
16	NEGRO	TIERRA
17	VACIO	SIN CONEXION
18	VACIO	SIN CONEXION
19	VACIO	SIN CONEXION
20	BLANCO	LINEA DE NIVEL DE SALIDA IZQUIERDA TRASERA

VIEW B-B
WIRE INSERTION VIEW

PIN NO.	WIRE COLOR	DESCRIPTION
1	BLACK	GROUND
2	BLUE	POWER ANTENNA
3	GREEN	LEFT REAR SPEAKER (+)
4	GREEN/BLACK	LEFT REAR SPEAKER (-)
5	GRAY	RIGHT FRONT SPEAKER (+)
6	GRAY/BLACK	RIGHT FRONT SPEAKER (-)
7	VIOLET	RIGHT REAR SPEAKER (+)
8	VIOLET/BLACK	RIGHT REAR SPEAKER (-)
9	RED	12V ACCESSORY
10	WHITE	LEFT FRONT SPEAKER (+)
11	WHITE/BLACK	LEFT FRONT SPEAKER (-)
12	EMPTY	NO CONNECTION



OPERACIÓN BÁSICA



Encendido / Apagado

Presione cualquier botón en el panel delantero para encender la unidad. Presione el botón **POWER** (1) para apagar la unidad. El botón **POWER** se ilumina siempre que enciende la llave IGN (cable rojo), sin importar si la unidad está prendida o apagada.

Control de Volumen

Para subir el volumen, presione el botón **VOL +** (2a). Para bajar el volumen, presione el botón **VOL -** (2b).

Mute (Mudo)

Press the **MUTE** button (17) on the control panel to mute the audio output. Press **MUTE** again to restore the audio output to the previous level.

Mode

Presione el botón **MODE** (4) en el panel de control para seleccionar un modo de operación diferente, como se indica en la pantalla. Modos disponibles incluyen Tuner (Radio), SIRIUS y AUX In (Entrada Auxiliar opcional).

NOTA: La modo SIRIUS se saltarán si el módulo no está instalado.

Reiniciar

El botón de reinicio (reset) (18) se debe presionar por las siguientes razones:

- En la instalación inicial, cuando todo el cableado esté completo
- No funcionan los botones de función
- Hay un símbolo de error en pantalla

Utilice un bolígrafo o un objeto de metal delgado para presionar el botón **RESET**, ubicado en la caja del radio.

Usted puede volver a la configuración de fábrica usando la función **RESUME** ubicada en el menú de sistema. Con el cartel "YES" destellando, presione el botón **MODE** (4) para activar.

Menú de Audio

Presione el botón **AUDIO** (3) en el panel de control para acceder al menú de audio. Usted puede navegar a través de los ítems de menú de audio presionando repetidas veces el botón **AUDIO**. Una vez que el menú deseado aparezca en pantalla, ajuste la opción presionando los botones de **VOLUMEN +/-** (2) dentro de los 5 segundos. La unidad automáticamente saldrá del menú de audio luego de cinco segundos de inactividad. Se pueden ajustar los siguientes ítems de menú.

Nivel de Bajos (Bass)

Utilice los botones **VOL** para ajustar el rango de nivel de Bajos desde "-6" a "+6".

Nivel de Agudos (Treble)

Utilice los botones **VOL** para ajustar el rango de nivel de Agudos desde "-6" a "+6".

Balance

Gire los botones de **VOL** para ajustar el balance entre los altavoces posteriores y delanteros desde "R12" (completamente hacia atrás) hasta "F12" (completamente hacia adelante).

Menú de Sistema

1. Mantenga presionado el botón **AUDIO** (3) por más de 3 segundos para acceder al menú de sistema. "MENU" aparecerá en pantalla, seguido del primer ítem, "CONTRAST" (Contraste).
2. Presione los botones **TUNE/TRK >>|** o **|<<** (19, 18) o presione el botón **AUDIO** repetidas veces para navegar el menú de sistema y seleccionar el ítem deseado.
3. Presione los botones **VOL +/-** (2) para ajustar el ítem de menú seleccionado.
4. Presione el botón **AS/PS** para volver a la operación previa inmediatamente o esperar por 5 segundos para volver automáticamente.

Se pueden ajustar los siguientes ítems:

- **CONTRAST** (Contraste) (0 - 10): Configurar el contraste del LCD.
- **LOW BATT** (Batería baja) (ON/OFF): Voltaje de monitor en línea ACC.
- **DISTANT/LOCAL**: Seleccione **LOCAL** para sintonizar las estaciones locales cuyas señales son más fuertes. Seleccione **DISTANT** (DISTANTE) para recibir todas las transmisiones en su área.
- **ÁREA** (USA/AMERICA LATINA/EUROPA): Configura espacio en la frecuencia para varias regiones.
- **VOL PGM** (0 - 46): Seleccione un volumen de encendido automático.
- **BEEP TONE/TONO DE BIP** (ENCENDIDO/APAGADO): Encienda o apaga el bip audible (escuchado cuando se seleccionan botones o funciones). **NOTA:** El tono de bip apagado no afectará el tono audible de batería baja.
- **RESUME**: Regrese el EEPROM a los valores por defecto de fábrica y reinicia la Configuración de Radio Sirius. "Yes" destellará en el LCD para confirmar. Presione **MODE** para seleccionar.

Operación con Batería Baja (LOW BATTERY)

Si **LOW BATT** está en "ON", una alarma sonará (8 bips cada 30 segundos) cuando el voltaje cae a 10.8V (+/- 0.03V). Una advertencia visual (**LOBA**) aparecerá (8 destellos cada 30 segundos) en la esquina inferior izquierda de la pantalla.

NOTA: La configuración por defecto para **LOW BATT** es apagado ("OFF"). Si se enmudece un audio o el volumen está en 0, el bip audible no se escuchará.

Ecualizador

Presione el botón **EQ** (11) para encender la función de ecualización y seleccionar entre cinco curvas de bajos y agudos predefinidos: OFF > POP > JAZZ > CLASSIC > BEAT > ROCK.

iX-Bass (Graves iX)

Mantenga presionado el botón **EQ/iX-BASS** (11) para cambiar entre sonoridad encendida o apagada. Cuando escuche música en volumen bajo, esta función potenciará los rangos graves para compensar las características del oído humano.

Entrada Auxiliar

Para acceder a un dispositivo auxiliar:

1. Conecte el reproductor de audio portátil a la línea AUX IN (ENT AUX) en la parte posterior de la unidad.
2. Presione el botón **MODE** (4) para seleccionar el modo Aux In.
3. Presione **MODE** nuevamente para cancelar el modo Aux In e ir al modo siguiente.

Pantalla de Cristal Líquido (LCD)

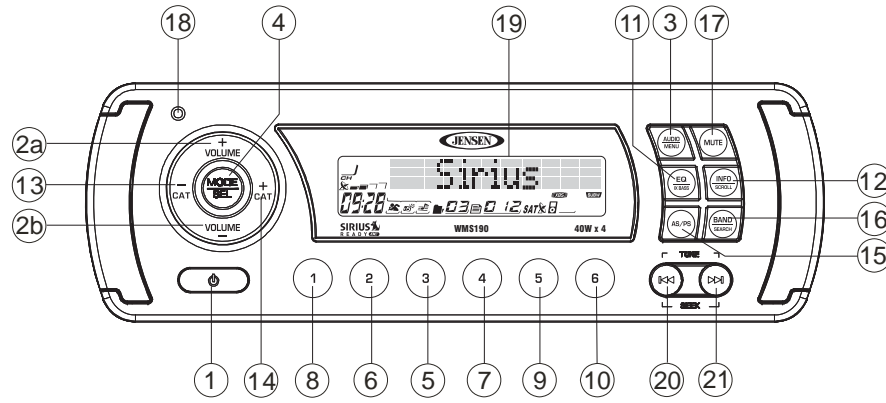
La frecuencia de corriente y las funciones activas se muestran en pantalla (19).

NOTA: Los paneles LCD pueden tardar más en responder cuando estén expuesto a temperaturas bajas durante un período prolongado de tiempo. Además, la visibilidad de los números en el LCD puede bajar levemente. La pantalla LCD volverá a su normalidad cuando la temperatura suba a un rango normal.

Scroll (Avanzar)

Cuando la información es muy larga para entrar en la pantalla, mantenga presionado el botón **INFO/ SCROLL** (12) para ver el título entero. La información pasará dos veces y luego volverá al texto abreviado.

OPERACIÓN DEL SINTONIZADOR



NOTA: Durante el Grabado Automático (AS), el radio por defecto estará en modo "Local" mientras realiza el escaneo inicial de la banda. Luego de escanear toda la banda una vez, la unidad cambiará a modo "Distante" para toda configuración de Grabado Automático subsiguiente.

Escaneo Preseleccionado

Seleccione una banda (si es necesario). Presione el botón **AS/PS** (15) para recorrer estaciones grabadas en la banda actual. La unidad se detiene por 10 segundos en cada estación potente. Presione **AS/PS** nuevamente para detener el escaneo cuando se alcanza la estación deseada.

Seleccione una Banda

Presione el botón **BAND** (16) para cambiar entre tres bandas FM y dos bandas AM (MW).

Sintonía Manual

Presione los botones **TUNE/TRK >>|** o **|<<** (21, 20) para buscar estaciones una a una hacia arriba o hacia abajo.

Sintonía de Búsqueda Automática

Presione los botones **TUNE/TRK >>|** o **|<<** (21, 20) para buscar automáticamente la estación potente siguiente o anterior en el dial.

Estaciones Preseleccionadas

Seis botones numerados almacenan y sintonizan estaciones preseleccionadas por cada banda.

Almacene una Estación

Seleccione una banda (si es necesario), luego seleccione una estación. Mantenga presionado el botón de configuración previa (5-10) por dos segundos. El número preseleccionado aparecerá en la pantalla.

Ir a una Estación

Seleccione una banda (si es necesario). Presione el botón de preselección (5-10) para seleccionar la estación almacenada correspondiente.

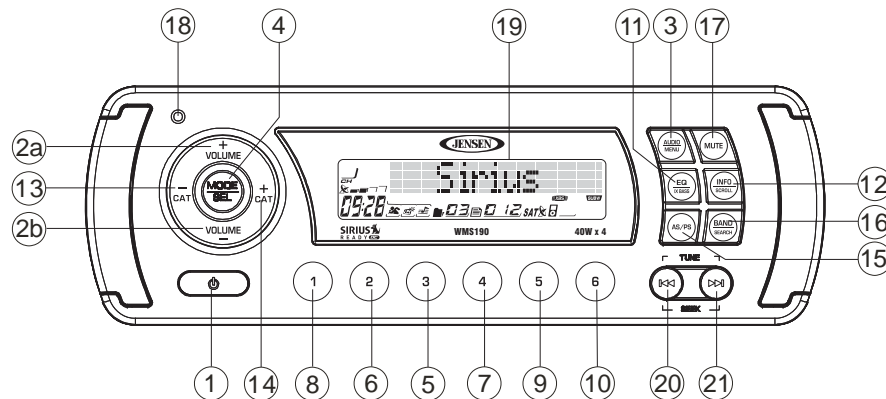
Grabado Automático/Recorrido Preseleccionado de Sintonía (AS/PS)

Grabado Automático

Seleccione una banda (si es necesario). Mantenga presionado el botón **AS/PS** (15) por más de tres segundos para seleccionar automáticamente seis estaciones fuertes y grabarlas en la banda actual. Las nuevas estaciones reemplazan cualquier estación almacenada anteriormente en esa banda.

OPERACIÓN DE RADIO SIRIUS

NOTA: El acceso a la radio basada en los satélites de Sirius® requiere la instalación de un sintonizador y de una antena separados de Sirius (no incluidos). Los oyentes pueden suscribir a la radio de Sirius en el Internet por www.sirius.com que visita, o llamando (888) 539-SIRIUS. Los clientes deben tener su availabl de la identificación de Sirius (la identificación de Sirius está situada en el sintonizador de Sirius, vendido por separado). Los clientes pueden oír ejemplos de la música en el canal 184.



Cambiando a Modo SIRIUS

Presione el botón **MODE** (4) para cambiar el modo a radio Sirius.

Accediendo al Identificador de SIRIUS

1. En modo Sirius, mantenga presionado el botón **BAND/SERCH** (16) para seleccionar el modo DIRECT.
2. Presione el botón **MODE** para entrar en cada dígito "000".
3. Presione **MODE** nuevamente para confirmar. Esto mostrará el número de identificación (ID) de Sirius para su radio.
4. Este número de identificación Sirius pasará dos veces y luego se congelará con los primeros 11 dígitos en pantalla. Presione el botón **INFO/SCROLL** (12) para mostrar el dígito remanente.

Seleccionando una Banda

En modo Sirius, presione el botón **BAND** (16) para accederlos grupos de canales preseleccionados por el usuario en Sirius en el siguiente orden: S1, S2, S3.

Sintonía de Categoría

1. Presione los botones **CAT +/-** (13/14) para cambiar de categoría. Cada título de categoría y título de canción se mostrará en pantalla en aumento.
2. Mientras esté en modo de categoría, presione los botones **CAT - / +** nuevamente para ver los nombres de categorías. (El número de canal más bajo dentro de la categoría elegida siempre será el primer canal en sintonizar por defecto.)

3. Presione el botón **MODE** (4) o los botones **TUNE/TRK |<< / >>|** (20/21) para elegir los canales deseados en esa categoría.
4. Presione los botones **TUNE/TRK** para seleccionar un canal entre las categorías.
5. Presione **MODE** para confirmar la selección del canal.

Sintonía de Canal hacia Arriba o Hacia Abajo

Presione los botones **TUNE/TRK |<< / >>|** (20/21) para buscar un canal. Mantenga presionado los botones **TUNE/TRK** para búsqueda rápida.

Guardando Canales Preseleccionados

Los botones de preselección (5-10) se pueden usar para guardar hasta 6 canales, permitiendo acceso conveniente a sus canales favoritos.

Programando Canales

1. Seleccione el canal que usted quiere guardar en memoria.
2. Mantenga presionado el botón de configuración previa (5 - 10) hasta que el número del botón correspondiente aparece.
3. Repita los pasos 1 y 2 para programar canales adicionales.

Sintonía Rápida

Presione uno de los seis botones de preselección (5 - 10) para seleccionar directamente un canal.

Buscando un Acceso Directo a un Canalg

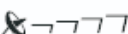



1. Mantenga presionado el botón **BAND/SEARCH** (Banda/Búsqueda, 16) para acceder a modo de Sintonía Directa. "DIRECT-T" aparece en pantalla por pocos segundos.
2. Presione el botón de **MODE** (4) para confirmar.
3. Presione los botones **TUNE/TRK |<< / >>|** (20/21) para moverse entre los tres dígitos.
4. Utilice los botones de **VOL +/-** (2) para seleccionar un número para cada posición.
5. Presione el botón de **MODE** para confirmar cada dígito.
6. Presione el botón **MODE** nuevamente para sintonizar el archivo seleccionado.

Información Alternativa en Pantalla

Presione el botón **INFO/SCROLL** (12) para cambiar la información de pantalla en el siguiente orden: ARTIST NAME (Nombre del Artista) > SONG TITLE (Título de la Canción) > CATEGORY (Categoría) > CHANNEL NAME (Nombre del Canal).

Fuerza de la Señal Satelital

La pantalla indica la fuerza de la recepción satelital como se muestra abajo.

Fuerza de la Señal	Fuerza en Pantalla
Sin Señal	
Débil	
Buena	
Excelente	

CUIDADO Y MANTENIMIENTO

- Mantenga el producto seco. En el caso de mojarse, séquelo inmediatamente. Los líquidos pueden contener minerales que corroen los circuitos electrónicos.
- Mantenga el producto lejos de polvo y suciedad, lo cual puede causar un desgaste prematuro de las partes.
- Maneje el producto suave y cuidadosamente. Dejarlo caer puede dañar circuitos y cajas, y puede causar que el producto funcione inadecuadamente.
- Ocasionalmente limpie el producto con un trapo mojado para que mantenerlo como nuevo. No utilice químicos fuertes, solventes de limpieza o detergentes fuertes para limpiar el producto.
- Utilice y guarde el producto solamente en ambientes de temperatura normal. Las altas temperaturas pueden acortar la vida de los dispositivos electrónicos, dañar baterías y distorsionar y derretir las partes plásticas.

Ignición

La fuente más común de ruido en la recepción es el sistema de ignición. Esto es el resultado de un radio ubicado cerca del sistema de ignición (motor). Este tipo de ruido puede ser detectado fácilmente porque variará en intensidad de tono con la velocidad del motor.

Usualmente, el ruido de la ignición se puede suprimir considerablemente usando un cable de ignición de la suspensión de alto voltaje y un resistor supresor en el sistema de ignición. (La mayoría de los buques emplean este cable y resistor pero puede ser necesario verificarlos para una operación correcta.) Otro método de supresión es el uso de supresores adicionales. Éstos se pueden obtener en la mayoría de los comercios electrónica.

Interferencia

La recepción de radio en un ambiente en movimiento es muy diferente de la recepción en un ambiente estacionado (casa). Es muy importante entender la diferencia.

La recepción AM se deteriorará cuando pase bajo un puente o cuando pase bajo líneas de alto voltaje. A pesar que banda AM está sujeta a ruidos medioambientales, tiene la habilidad de recibir a gran distancia. Esto es porque las señales de transmisión siguen la curvatura de la tierra y se rebotan de vuelta en la atmósfera superior.

SOLUCIÓN DE PROBLEMAS

Problema	Cause	Solución
No hay energía	La llave accesoria del buque no está encendida	Si la energía no está conectada adecuadamente al terminal accesorio del buque, cambia la llave de ignición a "ACC".
	El fusible está quemado	Reemplace el fusible.
No hay sonido	El volumen está muy bajo o MUDO activado	Ajuste el volumen a un nivel audible.
	El ajuste del FADER (atenuador) es incorrecto	Presione el botón AUDIO para tener acceso al menú y para ajustar el ajuste del FADER (atenuador).
	El cableado no está conectado adecuadamente	Verifique las conexiones de cables.
La radio no está respondiendo	El microcomputador integrado no está operando adecuadamente	Fije la función RESUME (REANUDAR) en el menú.
No se puede sintonizar a una estación de radio, la búsqueda automática no funciona	The antenna cable is not El cable de la antena no está conectado	Inserte el cable de la antena firmemente.
	Las señales son muy débiles	Seleccione una estación manualmente.

ESPECIFICACIONES

Radio FM

Cobertura de la Frecuencia (USA)	87.5 a 107.9 MHz
Cobertura de la Frecuencia (Europe)	87.5 a 108 MHz
Sensibilidad (S/N=30dB)	4 μ V
Rechazamiento de la Imagen	>45 dB
Separación Estérea	>25 dB

AM/MW

Cobertura de la Frecuencia (USA)	530-1710 kHz
Cobertura de la Frecuencia (Europe)	522-1620 kHz
Sensibilidad (S/N=20dB)	36 dB

General

Voltaje de Funcionamiento	DC 12 Volts
Poner a Tierra el Sistema	Tierra Negativa
Impedancia del Altavoz	4-8 ohmios por el canal
Controles del Tono:	
Bajo (at 100 Hz)	: \pm 10 dB
Agudos (at 10 kHz)	: \pm 10 dB
Salida de Energía	40W x 4
Dren Eléctrico	15 Ampere (max.)
Dimensiones de Comando	178 x 20.5 x 68.5mm

INFORMATIONS SUR LA SECURITE

Lorsque vous êtes en bateau

Gardez le niveau de volume assez bas pour être conscient de votre environnement.

Protéger de l'eau

Ne submergez pas et n'exposez pas le produit directement à l'eau. Cela peut produire des court-circuits, incendies ou d'autres types de dommages.

Protéger des températures hautes

Exposition à des rayons de soleil directs peut produire des températures très hautes à l'intérieur de votre vaisseau. Donnez à l'intérieur le temps de se rafraîchir avant de commencer la reproduction.

Ne montez pas la radio près du compartiment du moteur.

Utiliser l'alimentation correcte

Ce produit est conçu pour opérer avec un système de pile négative terre 12 Volt DC.

AVERTISSEMENT:

- POUR REDUIRE LES RISQUES D'INCENDIE OU DE CHOC ELECTRIQUE NE SUBMERGEZ PAS CET EQUIPEMENT DIRECTEMENT A L'EAU.
- POUR REDUIRE LE RISQUE D'INCENDIE OU DE CHOC ELECTRIQUE ET D'INTERFERENCE UTILISEZ UNIQUEMENT DES ACCESSOIRES RECOMMANDES.

INSTALLATION

Avant de commencer

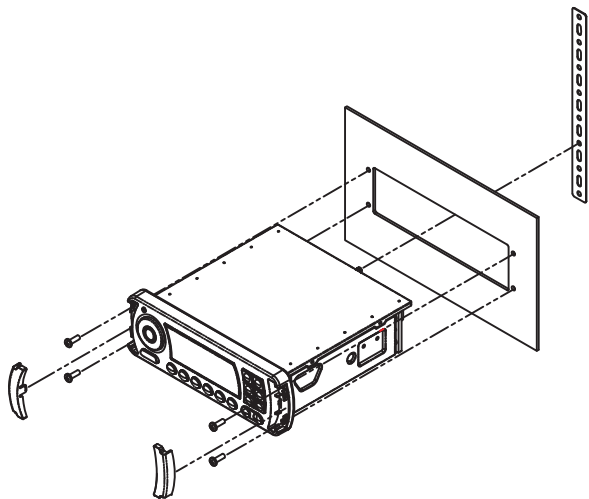
Avant de commencer, débranchez toujours la borne négative de la pile.

Notes importantes

- Avant l'installation finale vérifiez les branchements pour être sûr que l'appareil est bien branché et que le système fonctionne.
- N'utilisez que les parties fournies avec cet appareil pour assurer une bonne installation. L'utilisation des parties non-autorisées peut causer un mauvais fonctionnement.
- Consultez avec le détaillant le plus proche si l'installation exige le perçage des trous ou d'autres modifications de votre vaisseau.
- Installez l'appareil de façon à ce qu'il n'interfère pas avec la conduite de la voiture, et ne blesse pas les passagers lors d'un arrêt brusque ou d'urgence.
- Evitez d'installer l'appareil là où il sera sujet à des températures hautes provenant des rayons de soleil directs ou bien là où il sera soumis à de la poussière ou des ordures.

Montage de devant DIN

1. Vérifiez la taille d'ouverture du tableau de bord en glissant la radio dedans. Si l'ouverture n'est pas assez large coupez ou limez comme il faut jusqu'à ce que la radio se glisse dans l'ouverture. Vérifiez qu'il y aurait suffisamment de place derrière le tableau de bord pour le châssis de la radio.



CAUTION: L'arrière de la radio doit être soutenu avec la courroie pour empêcher l'endommagement à la radio et les structures de support.

2. Placez la radio devant l'ouverture du tableau de bord pour que le câblage puisse être acheminé à travers l'ouverture.

3. Suivez le diagramme de câblage avec soin et assurez-vous que tous les branchements sont sûrs pour garantir une bonne opération.
4. Après avoir terminé les branchements du câblage, allumez l'appareil pour confirmer l'opération (interrupteur d'accessoire du vaisseau doit être allumé). Si l'appareil ne fonctionne pas, revérifiez tout le câblage jusqu'à ce que le problème soit résolu. Lorsque la bonne opération est réalisée, éteignez l'interrupteur d'accessoire et procédez avec le montage finale du châssis.
5. Glissez doucement la radio dans l'ouverture en vous assurant qu'il va dans le bon sens.
6. Attachez la radio au tableau de bord en utilisant les écrous fournis.
7. Remplacez les couvercles à chaque côté de la radio.
8. Attachez un bout de la courroie de soutien perforée (fournie) au boulon sur l'arrière du châssis en utilisant l'écrou hexagonal et la rondelle de ressort fournie. Attachez l'autre bout de la courroie perforée à la partie sûre du tableau de bord soit audessus soit audessous de la radio en utilisant l'écrou et la rondelle fournis. Pliez la courroie comme nécessaire pour la positionner.
9. Essayez l'opération de la radio en vous référant aux instructions d'opération pour cet appareil.

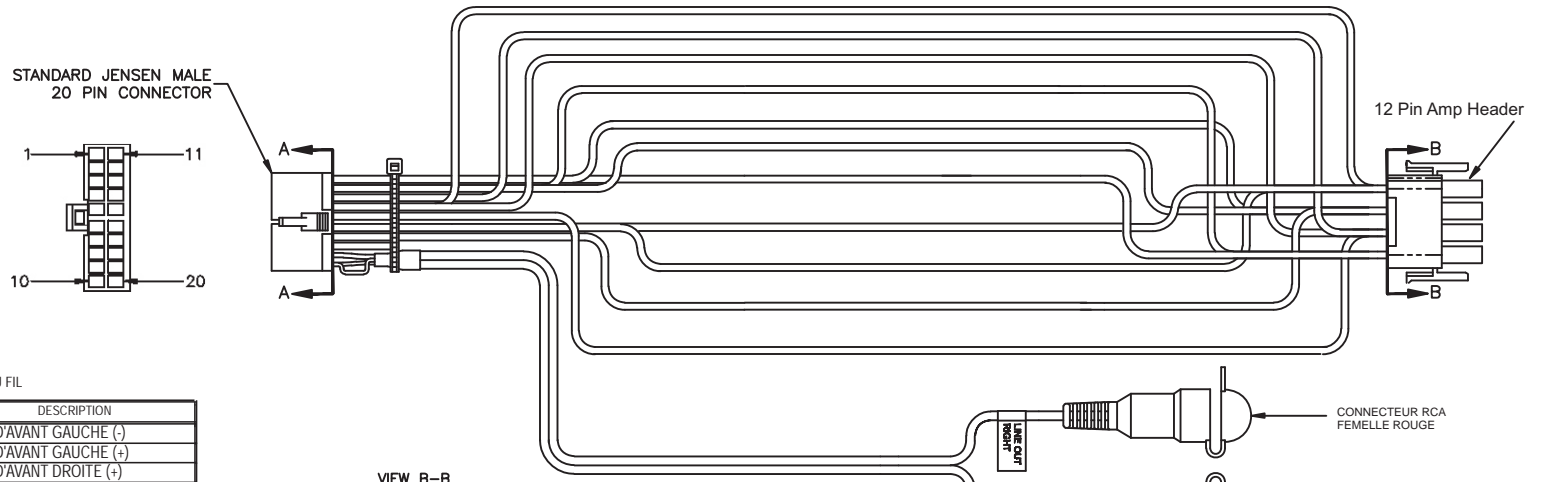
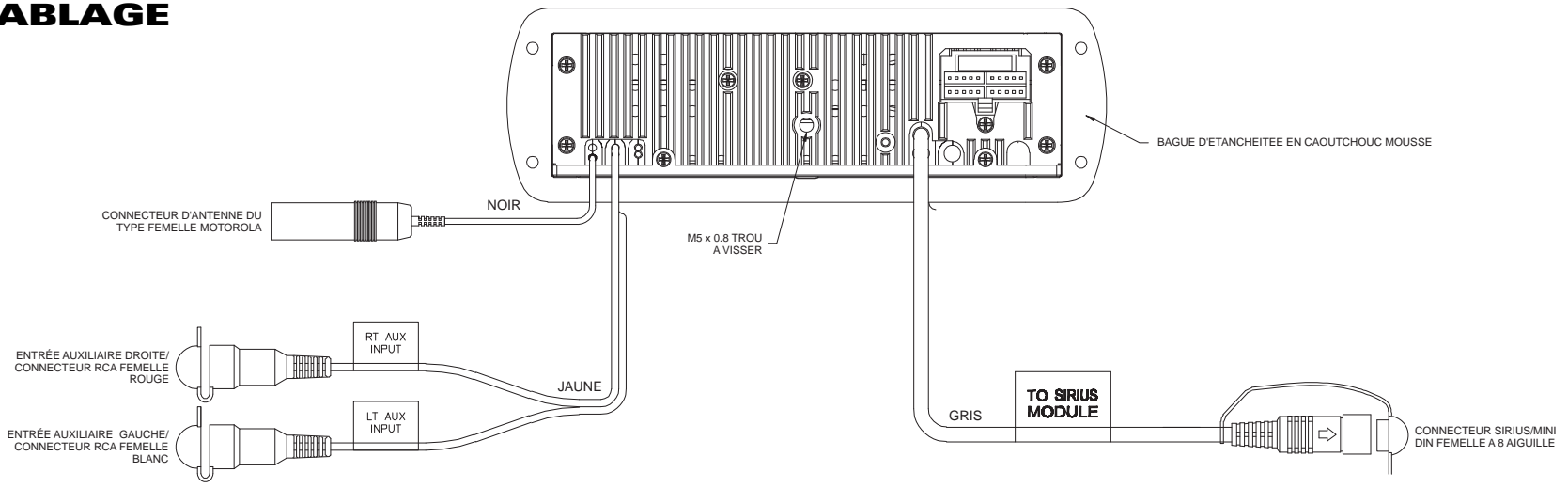
Enlevez l'appareil

Pour enlever la radio après l'installation, enlevez les couvercles et dévissez les écrous d'installation et puis tirez la radio.

Rebrancher la pile

Lorsque le câblage est terminé, rebranchez la borne négative de la pile.

CABLAGE

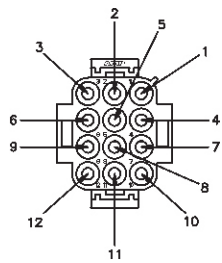


VUE A-A
VUE D'INSERTION DU FIL

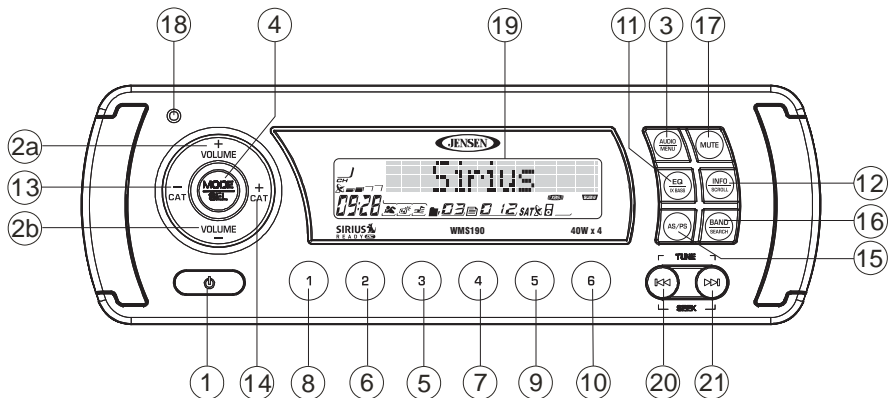
AIGUILLE	COULEUR DE F	DESCRIPTION
1	GRIS/NOIR	HAUT PARLEUR D'AVANT GAUCHE (-)
2	GRIS	HAUT PARLEUR D'AVANT GAUCHE (+)
3	VIOLET	HAUT PARLEUR D'AVANT DROITE (+)
4	VIOLET/NOIR	HAUT PARLEUR D'AVANT DROITE (-)
5	VIDE	PAS DE CONNEXION
6	VERT	HAUT PARLEUR D'ARRIERE GAUCHE (+)
7	VERT/NOIR	HAUT PARLEUR D'ARRIERE GAUCHE (-)
8	VIDE	PAS DE CONNEXION
9	NOIR/SHIELD	AUDIO NEGATIF LIGNE ARRIERE
10	ROUGE	NIVEAU LIGNE ARRIERE DROITE EN MARCHÉ
11	BLANC	HAUT PARLEUR D'AVANT GAUCHE (+)
12	BLANC/NOIR	HAUT PARLEUR D'AVANT GAUCHE (-)
13	VIDE	PAS DE CONNEXION
14	BLEU	ANTENNE DE PUISSANCE/L'AMP EN MARCHÉ
15	ROUGE	ALLUMAGE ACCESSOIRE
16	NOIR	TERRE
17	VIDE	PAS DE CONNEXION
18	VIDE	PAS DE CONNEXION
19	VIDE	PAS DE CONNEXION
20	BLANC	NIVEAU LIGNE ARRIERE GAUCHE EN MARCHÉ

VIEW B-B
WIRE INSERTION VIEW

PIN NO.	WIRE COLOR	DESCRIPTION
1	BLACK	GROUND
2	BLUE	POWER ANTENNA
3	GREEN	LEFT REAR SPEAKER (+)
4	GREEN/BLACK	LEFT REAR SPEAKER (-)
5	GRAY	RIGHT FRONT SPEAKER (+)
6	GRAY/BLACK	RIGHT FRONT SPEAKER (-)
7	VIOLET	RIGHT REAR SPEAKER (+)
8	VIOLET/BLACK	RIGHT REAR SPEAKER (-)
9	RED	12V ACCESSORY
10	WHITE	LEFT FRONT SPEAKER (+)
11	WHITE/BLACK	LEFT FRONT SPEAKER (-)
12	EMPTY	NO CONNECTION



OPERATION DE BASE



Puissance en marche/en arrêt

Appuyez sur n'importe quel bouton sur le panneau d'avant pour mettre l'appareil en marche. Appuyez sur le bouton **POWER** (1) pour mettre l'appareil en arrêt. Le bouton **POWER** est illuminé lorsque le fil IGN (fil rouge) est alimenté, peu importe si l'appareil est en marche ou non.

Contrôle du volume

Pour augmenter le volume, appuyez sur le bouton **VOL +** (2a). Pour diminuer le volume, appuyez sur le bouton **VOL -** (2b).

Muet

Appuyez sur le bouton **MUTE** (17) sur le panneau de contrôle pour assourdir la sortie audio. Appuyez de nouveau sur **MUTE** pour rétablir la sortie audio au niveau précédent.

Mode

Appuyez sur le bouton **MODE** (4) sur le panneau de contrôle pour sélectionner une mode d'opération différente. Les modes disponibles comprennent : Tuner, Sirius et AUX In (Entrée Auxiliaire facultatif).

A NOTER : Le mode Sirius seront sautés si le module n'est pas installé.

Réinitialisation

Le bouton de réinitialisation (18) doit être activée pour des raisons suivantes :

- Installation de l'appareil lorsque tout le câblage est terminé
- Les bouton de fonctions n'opère pas
- Symbole d'erreur sur l'affichage

Utilisez une bille ou un objet métallique fin pour appuyez sur le bouton de réinitialisation situé sur la boîte tuner.

Vous pouvez retrouver les réglages par défaut d'usine en utilisant la fonction **RESUME** situé sur le menu système. Avec **YES** clignotant, appuyez sur le bouton **MODE** (4) pour activer.

Menu Audio

Appuyez sur le bouton **AUDIO** (3) sur le panneau de contrôle pour accéder au menu Audio. Vous pouvez naviguer à travers le menu Audio en appuyant sur le bouton **AUDIO**. Lorsque l'article de menu désiré apparaît sur l'affichage ajustez l'option en appuyant sur les boutons **VOL +** et **-** (2) dans 5 secondes. L'appareil va automatiquement sortir du menu audio après 5 secondes d'inaction. Les articles de menu suivants peuvent être ajustés.

Niveau de basse

Utilisez les boutons **VOL** pour ajuster la gamme de niveau Basse de -6 à +6.

Niveau d'aigu

Utilisez les boutons **VOL** pour ajuster la gamme de niveau Aigu de -6 à +6.

Balance

Utilisez les boutons **VOL** pour ajuster la Balance entre les haut parleur de droite et de gauche de L12 (plein gauche) à R12 (plein droite).

Equilibreur

Utilisez les boutons **VOL** pour ajuster l'Equilibre entre les haut parleurs d'avant et d'arrière de R12 (plein arrière) à F12 (plein avant).

Menu système

1. Appuyez et maintenez l'appui sur le bouton **AUDIO** pendant plus de 3 secondes pour entrer dans le menu système. **MENU** apparaîtra sur l'affichage suivi par le premier article **CONTRASTE**.
2. Appuyez sur le bouton **TUNE/TRK >>|** ou **|<<** (21, 20) ou sur le bouton **AUDIO** pour naviguer à travers le menu système.
3. Appuyez sur les boutons **VOL +/-** (2) pour ajuster l'article menu sélectionné.
4. Appuyez sur le bouton **AS/PS** pour revenir immédiatement à l'opération précédente ou attendez 5 secondes pour revenir automatiquement.

Les articles suivants peuvent être ajustés :

- **CONTRAST** (0-10) : Réglez le contraste d'affichage à cristaux liquides.
- **LOW BATT** (ON/OFF) : Surveiller le voltage sur la ligne ACC.
- **DISTANT/LOCAL** : Sélectionnez **LOCAL** pour que le tuner puisse accéder aux stations locales don't les signaux sont plus forts: Sélectionnez **DISTANT** pour recevoir toutes les émissions dans votre region.
- **AREA** (Etats-Unis, AMERIQUE LATINE, EUROPE) : Réglez l'espacement de fréquence pour chaque région.
- **VOL PGM** (0-46) : Sélectionnez un volume automatique.
- **BEEP TONE** (ON/OFF) : Mettez le bip audible en marche/en arrêt (entendu lorsque les fonctions/boutons sont sélectionnés). *A NOTER : La tonalité bip en arrêt n'affectera pas la tonalité audible LOW BATT.*
- **RESUME** : Rendez le EEPROM aux valeurs de réglage par défaut d'usine et réinitialiser les réglages du tuner Sirius. **YES** va clignoter sur le panneau d'affichage à cristaux liquides pour confirmer. Appuyez sur **MODE** pour sélectionner.

Operation de pile basse

Si LOW BATT est réglé en marche, un alarme va sonner (8 bips toutes les 30 secondes) lorsque le voltage tombe à 10.8V (+/- 0.03). Un avertissement visuel (LOBA) apparaîtra clignotant (8 clignotements toutes les 30 secondes) dans le coin gauche en bas de l'affichage aux cristaux liquides.

A NOTER : OFF est le réglage par défaut pour LOW BATT. Si l'audio est assourdi et le volume est réglé à 0, le bip audible ne sera pas entendu.

Egaliseur

Appuyez sur le bouton **EQ** (11) pour mettre l'égaliseur en marche et pour sélectionner entre cinq courbes basse ou aigu pré-définies : OFF, POP, JAZZ, CLASSIC, BEAT, ROCK.

iX-Bass

Appuyez et maintenez l'appui sur le bouton **EQ/IX-BASS** (11) pour basculer l'intensité en marche/en arrêt. Lorsque vous écoutez la musique à des volumes bas, cette fonction va augmenter la gamme de basse pour compenser pour les caractéristiques de l'ouïe humaine.

Entrée auxiliaire

Pour accéder à un engin auxiliaire :

1. Branchez le lecteur audio portatif à la ligne AUX IN sur le dos de l'appareil.
2. Appuyez sur le bouton **MODE** (4) pour sélectionner la mode Aux IN.
3. Appuyez de nouveau sur le bouton **MODE** pour annuler la mode AUX IN et passer à la mode prochaine.

L'affichage aux cristaux liquides (LCD)

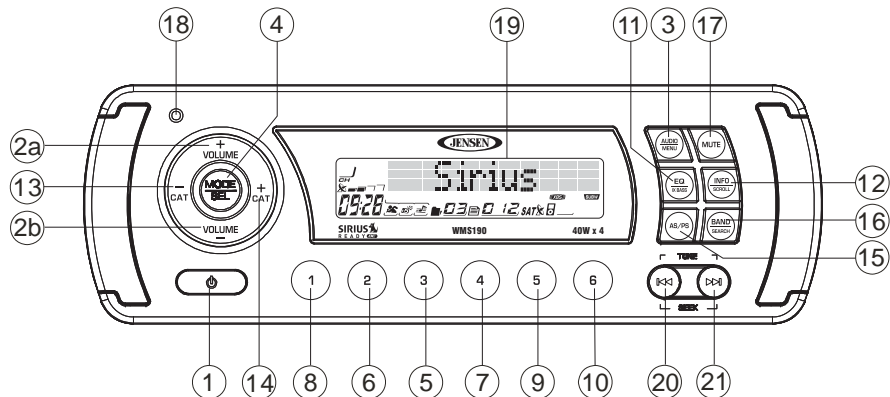
La fréquence courante et les fonctions activées sont montrées sur le panneau d'affichage aux cristaux liquides (19).

A NOTER : Les panneaux d'affichage aux cristaux liquides peuvent prendre du temps à répondre lorsqu'ils ont été exposés à des températures très basses pendant une période longue. En outre, la visibilité des numéros sur l'affichage aux cristaux liquides peut diminuer légèrement. L'affichage aux cristaux liquides va revenir à normal lorsque la température augmente et redevient normale.

Déroulement

Lorsque l'information est trop longue pour être affichée sur l'affichage aux cristaux liquides, appuyez et maintenez l'appui sur le bouton **INFO/SCROLL** (12) pour voir le titre entier. L'information va se dérouler deux fois et puis revenir au texte abrégé.

OPERATION TUNER



A NOTER : Pendant Auto Store (AS) le tuner va revenir par défaut à la mode Locale lorsqu'il balaye la bande. Après avoir balayé la bande une fois, l'appareil va changer à la mode Distant pour tout la syntonisation AS suivante.

Balayage pré-réglé

Sélectionnez une bande (si nécessaire). Appuyez sur **AS/PS** (15) pour balayer toutes les stations mises en mémoire dans la bande courante. L'appareil va s'arrêter pendant dix secondes à chaque station pré-réglée. Appuyez de nouveau sur le bouton **AS/PS** pour arrêter le balayage et lorsque vous arrivez à la station désirée.

Sélectionnez une bande

Appuyez sur le bouton **BAND** (16) pour changer entre trois bandes FM et deux bandes AM (MW).

Syntonisation à la main

Appuyez sur le bouton **TUNE/TRK >>|** ou **|<<** (18, 19) pour chercher des stations vers le haut ou vers le bas, une station à la fois.

Syntonisation auto-recherche

Appuyez et maintenez l'appui sur le bouton **TUNE/TRK >>|** ou **|<<** pour automatiquement chercher la prochaine ou la précédente station forte.

Stations pré-réglées

Six boutons de pré-réglage numérotés mettent en mémoire et rappellent des stations pour chaque bande.

Mise en mémoire d'une station

Sélectionnez une bande (si nécessaire) et puis sélectionnez une station. Appuyez et maintenez l'appui sur un bouton de pré-réglage (5-10) pendant plus de 2 secondes. Le numéro de pré-réglage apparaîtra sur l'affichage.

Rappelez une station

Sélectionnez une bande (si nécessaire). Appuyez sur un bouton de pré-réglage (5-10) pour sélectionner la station mise en mémoire correspondante.

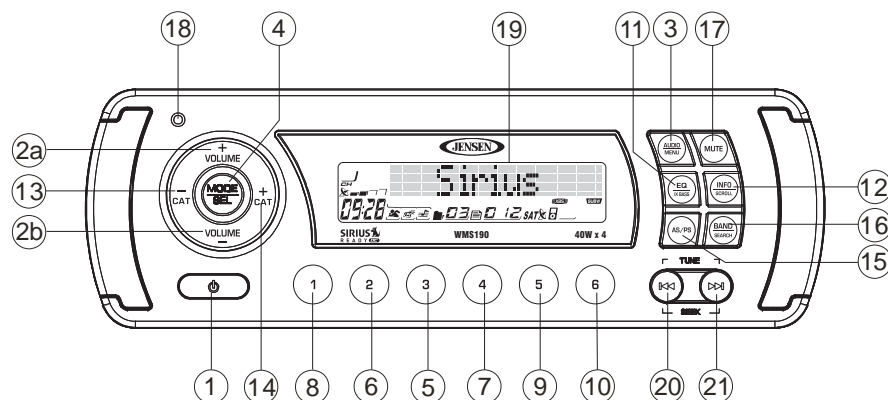
Mise en mémoire automatique/Balayage pré-réglé (AS/PS)

Mise en mémoire automatique

Sélectionnez une bande (si nécessaire). Appuyez et maintenez l'appui sur le bouton **AS/PS** (15) pendant plus de 3 secondes pour automatiquement sélectionner six stations fortes et les mettre en mémoire dans la bande courante. Les nouvelles stations remplacent les stations déjà mises en mémoire dans cette bande.

OPERATION RADIO SIRIUS

A NOTER : L'accès à la radio satellite de Sirius® exige l'installation d'un tuner et d'une antenne séparés de Sirius (non inclus). Les auditeurs peuvent souscrire à la radio de Sirius sur l'Internet par www.sirius.com de visite, ou en appelant (888) 539-SIRIUS. Les clients devraient avoir leur availablir d'identification de Sirius (l'identification de Sirius est située sur le tuner de Sirius, vendu séparément). Les clients peuvent entendre des exemples de musique sur le canal 184.



Changer à la mode Sirius

Appuyez sur le bouton **MODE** (4) pour changer la mode à la mode radio Sirius.

Accéder à votre identité Sirius

1. En mode Sirius, appuyez et maintenez l'appui sur le bouton **BAND/SEARCH** (16) pour sélectionner la mode Directe.
2. Appuyez sur le bouton **MODE** pour activer la mode Directe.
3. Appuyez sur le bouton **MODE** pour chaque chiffre pour entrer « 000 ».
4. Appuyez de nouveau sur le bouton **MODE** pour confirmer. Ceci va afficher le numéro d'identité Sirius pour votre tuner.
5. Le numéro d'identité Sirius va se dérouler deux fois et se gèlera avec les 11 premiers chiffres affichés. Appuyez sur le bouton **INFO/SCROLL** pour afficher le chiffre qui reste.

Sélectionnez une bande

En mode Sirius, appuyez sur le bouton **BAND** (16) pour accéder aux groupes de chaînes pré-réglées par l'utilisateur Sirius dans l'ordre suivant : S1, S2, S3.

Syntonisation de catégories

1. Appuyez sur les boutons **CAT +/-** (13, 14) pour changer de catégories. Chaque titre de catégorie et titre de chanson seront affichés en incréments.
2. Lorsque vous êtes dans la mode catégorie, appuyez de nouveau sur les boutons **CAT +/-** pour voir les noms de catégories. (Le numéro de chaîne le plus bas dans la catégorie choisie sera toujours la première chaîne syntonisée par défaut).

3. Appuyez sur le bouton **MODE** (4) ou les boutons **TUNE/TRK >>|** ou **|<<** (18, 19) pour choisir les chaînes désirées dans cette catégorie.
4. Appuyez sur les boutons **TUNE/TRK** pour sélectionner u ne chaîne dans la catégorie choisie.
5. Appuyez sur le bouton **MODE** pour confirmer la sélection de chaîne.

Syntonisation de chaîne vers le haut/vers le bas

Appuyez sur le bouton **TUNE/TRK >>|** ou **|<<** pour chercher une chaîne. Appuyez et maintenez l'appui sur le bouton **TUNE/TRK** pour chercher rapidement.

Mise en mémoire des chaînes pré-réglées

Les boutons de pré-réglage (5-10) peuvent être utilisés pour mettre en mémoire 6 chaînes permettant un accès commode à vos chaînes favorites.

Programmer des chaînes

1. Sélectionnez la chaîne que vous voulez mettre en mémoire.
2. Appuyez et maintenez l'appui sur un bouton de pré-réglage (5-10) jusqu'à ce que le numéro pré-réglé correspondant apparaisse.
3. Répétez les démarches 1 et 2 ci-dessus pour programmer des chaînes supplémentaires.

Syntonisation rapide

Appuyez sur l'un des boutons de pré-réglage (5-10) pour sélectionner une chaîne pré-réglée directement.

Recherche de chaîne accès direct





1. Appuyez et maintenez l'appui sur le bouton **BAND/SEARCH** (16) pour accéder à la mode Syntonisation Directe. DIRECT-T apparaît sur l'affichage pendant quelques secondes.
2. Appuyez sur le bouton **MODE** (4) pour confirmer.
3. Appuyez sur les boutons **TUNE/TRK >>|** ou **|<<** pour vous déplacer entre les trois chiffres.
4. Utilisez les boutons **VOL +/-** pour sélectionner un numéro pour chaque position.
5. Appuyez sur le bouton **MODE** pour confirmer chaque chiffre.
6. Appuyez de nouveau sur le bouton **MODE** pour syntoniser le fichier sélectionné.

Affichage d'information alternatif

Appuyez sur le bouton **INFO/SCROLL** (12) pour changer l'information affichée dans l'ordre suivant : Nom de l'artiste, titre de chanson, catégorie, nom de la chaîne.

Force du signal satellite

L'affichage va indiquer la force de réception satellite comme montré ci-dessous.

Force du signal	Exhibition de force
Pas de signal	
Faible	
Bon	
Excellent	

SOIN ET ENTRETIEN

- Gardez le produit sec. S'il devient moite, essuyez tout de suite. Des liquides peuvent contenir des minéraux qui peuvent endommager les circuits électroniques.
- Gardez le produit loin de la poussière et des ordures, qui peut prématurément usé les parties.
- Manipuler le produit doucement et avec soin. Si vous le laissez tomber, cela peut endommager les bords de circuits, et peut produire un mauvais fonctionnement du produit.
- Essuyez le produit de temps en temps avec un tissu moite pour qu'il paraisse neuf. N'utilisez pas de produits chimiques corrosifs, des détergents, ou des solutions de nettoyage pour nettoyer le produit.
- Utilisez et gardez le produit dans des températures normales. Des hautes températures peuvent raccourcir la vie des produits électroniques, endommager les piles, et fondre les plastiques.

Allumage

La source de bruit le plus commun dans la réception est l'allumage. Cela résulte de l'emplacement de la radio près du système d'allumage (le moteur). Ce type de bruit peut être facilement détecté parce que son intensité variera avec la vitesse du moteur.

Normalement, le bruit de l'allumage peut être supprimé en utilisant un fil d'allumage haut voltage du type suppression de la radio et un résisteur supprimeur dans le système d'allumage. (La plupart des vaisseaux utilise ce fil et résisteur, mais il peut être nécessaire de les contrôler pour une opération bonne). Une autre méthode de suppression est d'utiliser les supprimeurs de bruit supplémentaires. On peut les procurer des magasins de radio et fournitures électroniques.

Interférence

La réception radio dans un environnement mobile est très différent de la réception radio dans un environnement stationnaire. Il est très important de comprendre cette différence.

La réception AM va se détériorer lorsque vous passez sous un pont ou sous les lignes de haut voltage. Bien que AM soit sujet à des bruits environnementaux, il a la capacité de recevoir à une grande distance. Ceci parce que les signaux de transmission suivent la courbe de la terre et sont réfléchis par l'atmosphère supérieur.

DÉPANNAGE

Symptôme	Cause	Solution
Pas de puissance	L'interrupteur accessoire du vaisseau n'est pas en marche	Si l'alimentation est bien branchée à la borne accessoire du vaisseau, changez le commutateur d'allumage à ACC
	Le fusible est sauté	Remplacez le fusible
Pas de son	Le volume est trop bas ou MUET activé	Ajustez le volume à un niveau audible
	FADER (équilibre) est incorrect	Appuyez sur le bouton AUDIO pour accéder au menu et pour ajuster l'arrangement d'FADER (équilibre)
	Le câblage n'est pas bien branché	Vérifiez les connexions
Les clés d'opération ne fonctionnent pas	L'ordinateur encastré ne fonctionne pas à cause du bruit	Réglez la fonction RESUME dans le menu
Ne peut pas syntoniser à une station de radio, auto-recherche ne fonctionne pas	Le câble d'antenne n'est pas branché	Insérez le câble d'antenne
	Les signaux sont trop faibles	Sélectionnez une station à la main

SPECIFICATIONS

Radio FM

Assurance de Fréquence (USA)	87.5 à 107.9 MHz
Assurance de Fréquence (Europe)	87.5 à 108 MHz
Sensibilité (S/N=30dB)	4 μ V
Rejet d'Image	>45 dB
Séparation Stéréo	>25 dB

AM/MW

Chaîne de Fréquence (USA)	530-1710 kHz
Chaîne de Fréquence (Europe)	522-1620 kHz
Sensibilité (S/N=20dB)	36 dB

Généralités

Tension d'Opération	DC 12 Volts
Fondre le Système	La Terre Négative
Impédance de Haut Parleurs	4-8 4 ohms par canal
Commandes de Tonalité:	
Basse (at 100 Hz)	: \pm 10 dB
Aigu (at 10 kHz)	: \pm 10 dB
Rendement de Puissance	40W x 4
Drainage Courant	15 Ampere (max.)
Dimensions	178 x 20.5 x 68.5mm



ASA Electronics Corporation

www.asaelectronics.com

www.jensenmarinedirect.com

©2010 ASA Electronics Corporation

v.030510