

# THUNDER<sup>®</sup>

## MARINE

### TM1805

#### MTX WARRANTY STATEMENT

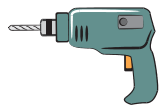
MTX products purchased in the USA from an authorized MTX dealer are guaranteed against defects in material and workmanship for the period of 1 year if installed by an authorized MTX dealer (90 days if by customer). The warranty period begins the day the product is purchased by the end user. This warranty is limited to the original retail purchaser of product. Product found to be defective during that period will be repaired or replaced by MTX at no charge. This warranty is void if it is determined that unauthorized parties have attempted repairs or alterations of any nature. Warranty does not extend to cosmetics or finish. Before presuming a defect is present in the product, be certain that all related equipment and wiring is functioning properly. MTX disclaims any liability for other incurred damages resulting from product defects. Any expenses in the removal and reinstallation of products are not covered by this warranty. MTX's total liability will not exceed the purchase price of the product. If a defect is present, your authorized MTX dealer may be able to effect repairs.

Proof of purchase is required when requesting service, so please retain your sales receipt and take a moment to register your product online at MTX.com. Also, a Return Authorization number (RA) is required before shipping product back to MTX, call 800-225-5689 or 602-438-4545, for amplifier RAs.

### REQUIRED INSTALLATION TOOLS



Adjustable Wrench



Power Drill



Utility Knife



Crimper



Screwdriver

**Recommended Optional Equipment:** Additional Battery - Battery Isolator

### SETTINGS

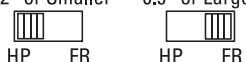
#### SUB EQ

Adjust bass response



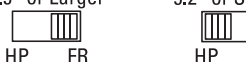
#### AMPLIFIER CROSSOVER SELECT SWITCH SETTINGS

5.2" or Smaller

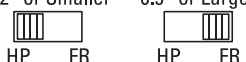


REAR  
X-OVER

6.5" or Larger



5.2" or Smaller



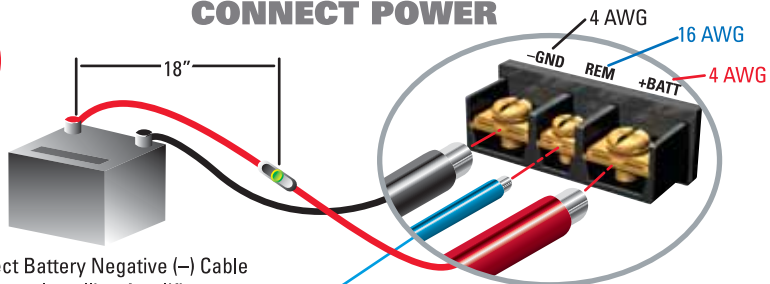
FRONT  
X-OVER

6.5" or Larger



# 1

### CONNECT POWER

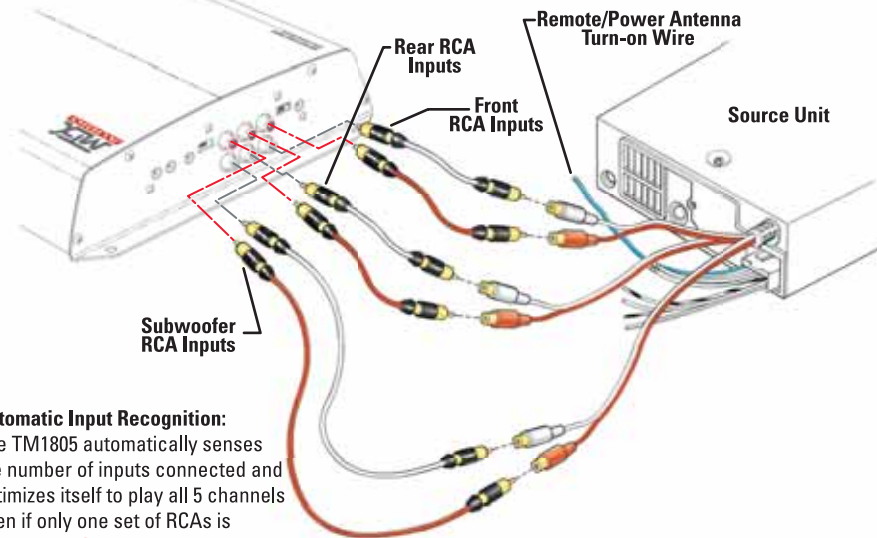


Disconnect Battery Negative (-) Cable  
Prior to Installing Amplifier  
(Reconnect after step 3)

Connect to Source Unit  
Remote Turn-on  
/Power Antenna Wire

# 2

### CONNECT SIGNAL



#### Automatic Input Recognition:

The TM1805 automatically senses the number of inputs connected and optimizes itself to play all 5 channels even if only one set of RCAs is connected. [Go to mtx.com](http://go.to.mtx.com) for more details.

# 3

### CONNECT SPEAKERS/SUBS

#### COAXIAL/SEPARATES/WAKEBOARD SPEAKER WIRING

