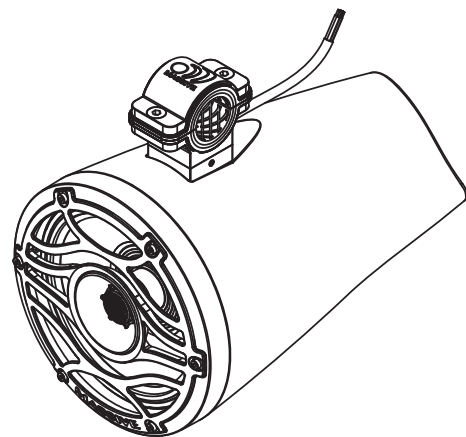


MASSIVE®

Trident Marine Series Speakers

T65C/T8C



Massive Audio Inc.
2261 S. Atlantic Blvd.
City of Commerce, CA 90040 U.S.A.
www.massiveaudio.com

©2018 Massive Audio Inc.
Printed in the U.S.A.

FEATURES

| MODEL | TYPE | RMS/PEAK POWER |
|-------------|---------------------------------|------------------|
| T65C | 6.5" 2-WAY COAXIAL TOWER | 200W/400W |
| T8C | 8" 2-WAY COAXIAL TOWER | 300W/600W |

T65C&T8C Features

T65C&T8C Tower for Boats, UTVS,ATVS,Golf Carts ,Motorcycles
2-Way Coax Design
Marine Grade IP65 & CTA2031 Compliant 100% UV Stable
Allare Rated At 4 Ohm
Include RGB LED "Pulse" Lighting
1" & 1-3/8" Compression Titanium Driver,
Waterproof Paper cones, PC surrounds
High Powered Y35 Ferrite Magnets.
Carbon Fiber Texture Grill with 316 Metal Mesh
High Temp Polycarbonate(PC) Composite Basket
Chromed Back Badge With RGB Lighting
Solid Aluminum Extruded Silver Clamp,360 Degree Rotatable,
Included 1.5" ,1.75" ,2.0" NBR Pads Choose
6Core Input Wires Build-in For speaker and Lighting
UV-Compliant , Polymer With Resin and Fiberglass-
Black Carbon Fiber Texture Composite Enclosure
Sensitivity: 93&95dB at 1W/1M
Over-All Depth:10.5"/267mm&12.91"/328mm
Over-All Width: 6.93"/176mm&8.58"/218mm
Over-All Height: 9.87"/250.7mm&11.54"/293mm

SPECIFICATIONS

| MODEL | T65C | T8C |
|-----------------------------------|---------------|---------------|
| Nominal Diameter | 6.5 (165) | 8 (203) |
| Type | 2-Way | 2-Way |
| Nominal Impedance (Ohms) | 4Ω | 4Ω |
| Frequency Response (Hz) | 65-23kHz | 55-23kHz |
| Voice Coil Diameter | 1.5" (38mm) | 2.0" (50.8mm) |
| Power Handling RMS/PEAK | 200W/400W | 300W/600W |
| Fs-Free Air Resonance (Hz) | 65 | 50 |
| Qts | 0.522 | 0.432 |
| Vas - cu.ft (Liter) | 0.3 (8.5) | 0.795 (22.5) |
| Sensitivity(1W/1M) | 93dB | 95dB |
| Xmax | 0.16" (4mm) | 0.16" (4mm) |
| Mounting Height | 10.5"/267mm | 11.54"/293mm |
| Mounting Depth | 9.87"/250.7mm | 12.91"/328mm |
| Mounting Diameter | 6.93"/176mm | 8.58"/218mm |

We Reserve The Right To Change Products And Specifications At Any Time Without Notice. Images May Or May Not Include Optional Equipment

1

2

INSTALLATION

Installation Considerations before attempting Install,

1. Be sure to carefully read and understand the instructions before attempting to install these speakers.
2. For safety, disconnect the negative battery terminal from the battery prior to beginning the installation.
3. For easier assembly, we suggest you run all wires prior to mounting speakers in place
4. Use high quality connectors for a reliable installation and to minimize signal or power loss.
5. Think before you drill! Be careful not to cut or drill into gas tanks, fuel lines, brake or hydraulic lines, vacuum lines or electrical wiring when working on any vehicle. If installation in a boat, take care not to cut or drill through the main hull.
6. Never run wires underneath the vehicle. Running the wires inside the vehicle or hull area provides the best protection.
7. Avoid running wires over or through sharp edges. Use rubber or plastic grommets to protect any wires routed through metal, especially the firewall.

Mounting

1. Determine where the speakers will be mounted. Ensure an area large enough for the speaker to mount evenly. Be sure that the mounting location is deep enough for the speaker to fit; only mount to a flat surface. Use extra caution when mounting on panels with urethane foam.
2. Refer to the specification chart to determine the proper diameter hole to cut for your speaker model.
3. Mark the locations for the mounting screws. Drill the holes with a 1/8" bit.
4. Feed the speaker wires through the cutout and connect to the speaker terminals. Be sure to observe proper polarity when connecting the wires. The speaker's positive terminal is indicated with a "+" .
5. Fit the speaker and mount into place using six (6) screws.
6. Tighten the screws until the speaker is snug in place.
7. LED CONNECTIONS: There are two options to choose from:
7-1: Connect RGB Wires To RF RGB LED Controller Or WIFI RGB LED Controller (Optional)
7-2: Connect To Battery(DC12V), Speaker RGB LED Fast Terminal "+" "+" Connect To Battery Positive.
1) Green Color "G" Fast Terminal Connect to Battery Negative
2) Red Color "R" Fast Terminal Connect to Battery Negative
3) Blue Color "B" Fast Terminal Connect to Battery Negative
4) Purple Color "P" And "W" Fast Terminal Connect to Battery Negative
5) Yellow Color "Y" And "O" Fast Terminal Connect to Battery Negative
6) Cyan Color "C" And "D" Fast Terminal Connect to Battery Negative
7) White Color "W" And "S" And "D" Fast Terminal Connect to Battery Negative

INITIAL SETUP

Installation Considerations:

1. Be sure to carefully read and understand the instructions before attempting to install these speakers.
2. For safety, disconnect the negative battery terminal from the battery prior to beginning the installation.
3. For easier assembly, we suggest you have all your tools handy- Drill, Allen set, Crimps, Soldering iron, wire strippers, heat-shrink, etc
4. Use high quality "Water Proof" connectors for a reliable installation and to minimize signal or power loss.
5. Think before you drill! Be careful not to cut or drill into gas tanks, fuel lines, brake or hydraulic lines, vacuum lines or electrical wiring when working on any vehicle. If installation in a boat, take care not to cut or drill through the main hull.
6. Never run wires near fuel lines or power (if possible). Running the wires inside the hull area provides the best protection.
7. Avoid running wires over or through sharp edges. Use rubber or plastic Grommets to protect any wires routed through metal, especially the tower.
8. Make sure that the mounting clamps are tight before leaving the dock
9. Decide early what type of LED lighting you want (if any) and wire accordingly (NOTE: if you want "Dancing Lights" look to the WIFI or RF remote controlled LED light box. The easy way to have lighting ...YOUR way!)

PACKING INCLUDE

- One Pair Marine/UTV/ATV Grade Tower Speaker system
- One Pcs 6mm Hex Wrench Chromed
- One Pcs 2.5mm Hex Wrench Chromed
- One Pair 1.75" NBR Pad For 1.75" Tube
- One Pair 1.5" NBR Pad For 1.5" Tube

3

4

INSTALLATION

The first installation way is the Not hidden cable

BEGINNING MOUNTING

Step 1: Remove tower speakers from the packaging and ALL hardware

Step 2: Find a GOOD location that allows for easy wiring of the speakers (and LED lights) - PLUS does NOT impair your movement around the location.

Step 3: Using the supplied 2.5mm hex wrench spin out the 2-M8 no head screw about 5mm, that hold clamp and Rotary base .

Step 4: Using the supplied 6mm hex wrench remove the 2 -M8 bolts that hold the clamp tops onto the clamp bottoms

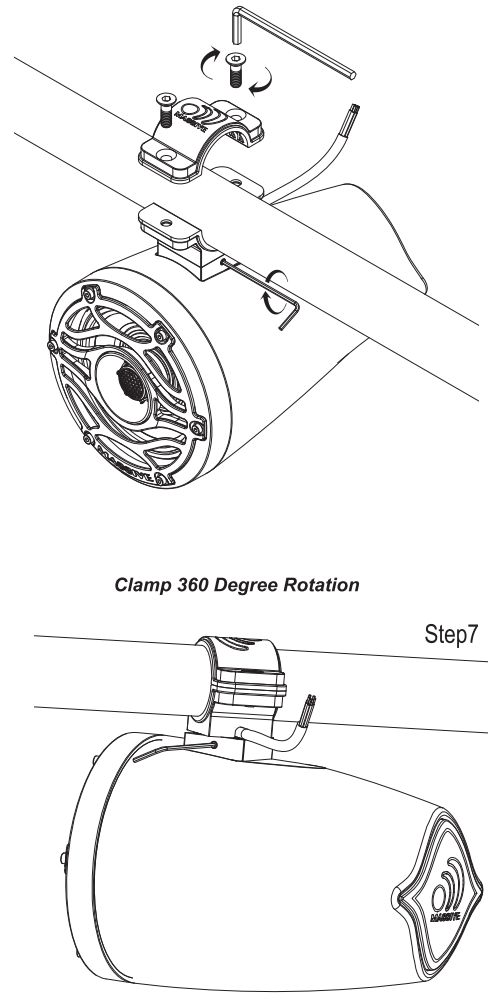
Step 5: Measure the diameter of the tube you are going to install, 1.5", 1.75", 2.0" optional, mounting the rubber pads on the top and bottom clamp.

Step 6: Lock 2-M8 screws on the calmp and fix the speaker on the tube.

Step 7: Turn the loudspeaker direction to the area you want, then lock two side 2-M8 no head screw.

Step 8: Connect the speaker wires to AMP and LED controller, insulated lock the clamp to tube.

Step 9: Solder or butt connect the speaker wire coming from the tower to the speaker wire to the system, then heat-shrink it for added protection from water/moisture.



INSTALLATION

The second installation way is the hidden cable

Step 1: Same first installation step 1-step 6.

Step 2: Use a six angle wrench to punch a hole in the middle of the rubber pad.

Step 3: Use the 3mm wrench to remove the screws, push the wire through the middle hole of the bottom clamp and the middle hole of the rubber pad.

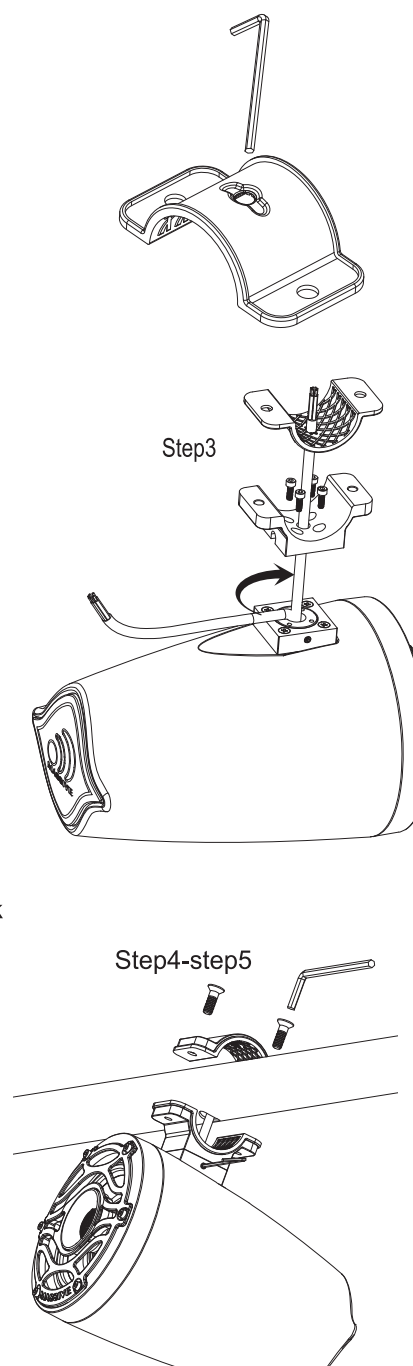
Step 4: Drill 15-20mm hole on mounting tube bottom align the clamp wire out hole.

Step 5: The wires connected to the loudspeaker and the lamp are welded with the wires pulled from the power amplifier, and the heat shrinkable tubes are contracted to prevent short circuits.

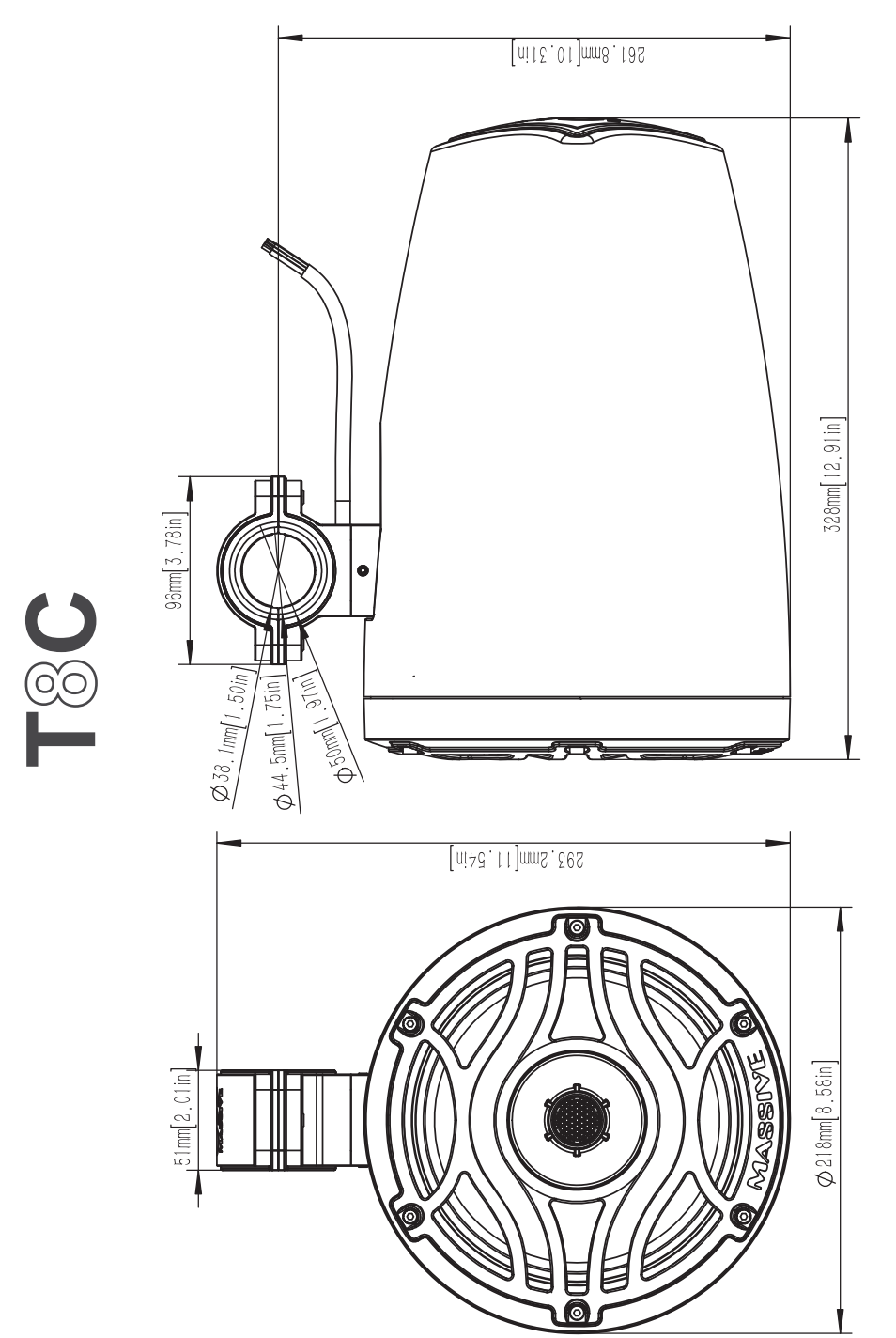
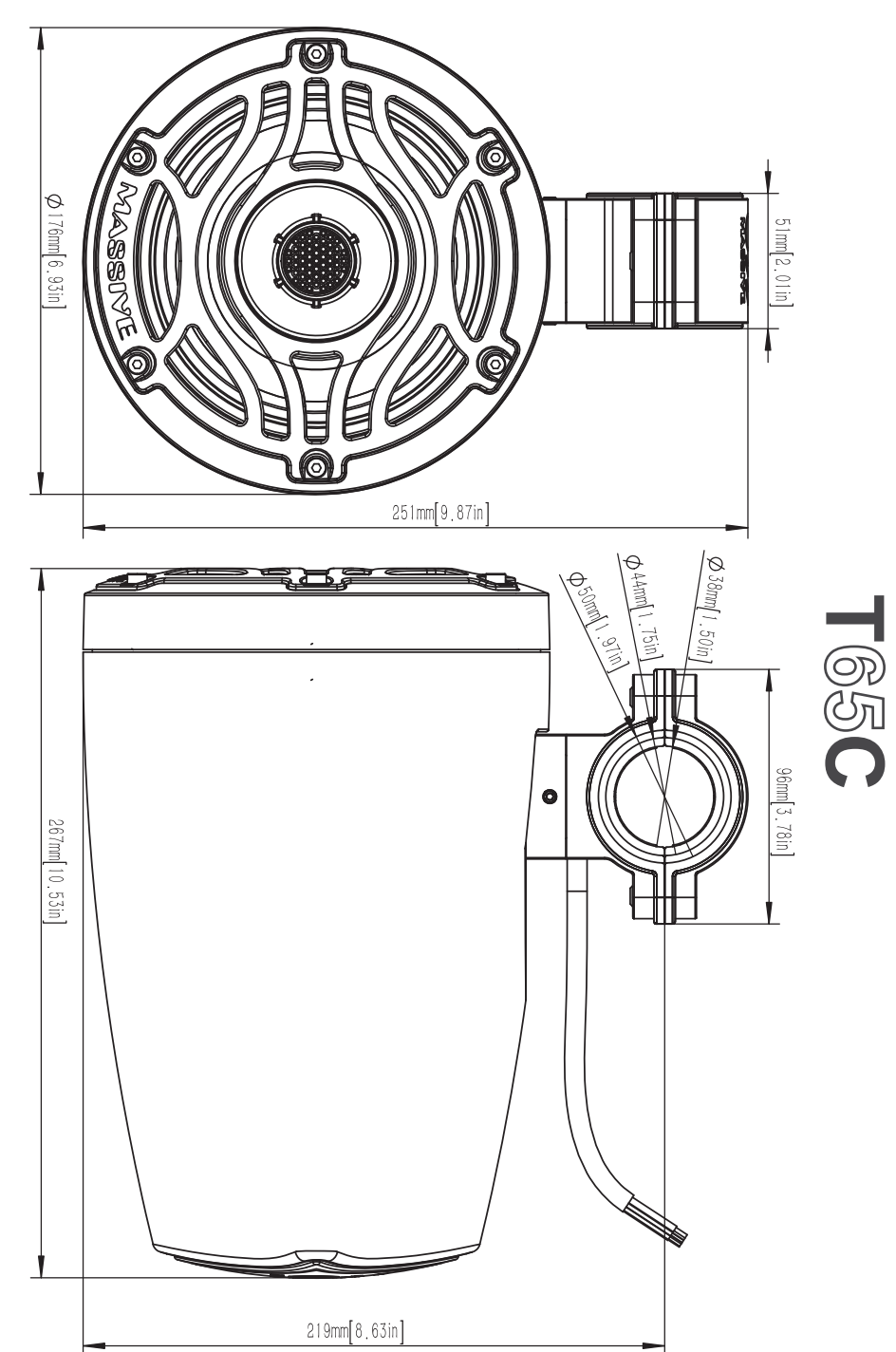
Step 6: locked the clamp screw, note that the fixed position can not be changed too much, so that the hole of the pipe can be cut off wire.

Step 7: If need be, ...rotate the speakers for best dispersion, this is easily done by locating the 2.5mm hex wrench set screw on the side of the mounting clamp.

once located release it using the included 2.5mm hex wrench so that you may rotate the speaker enclosure to the desired angle, once there ... lock the allen down.



Dimensions



7

8