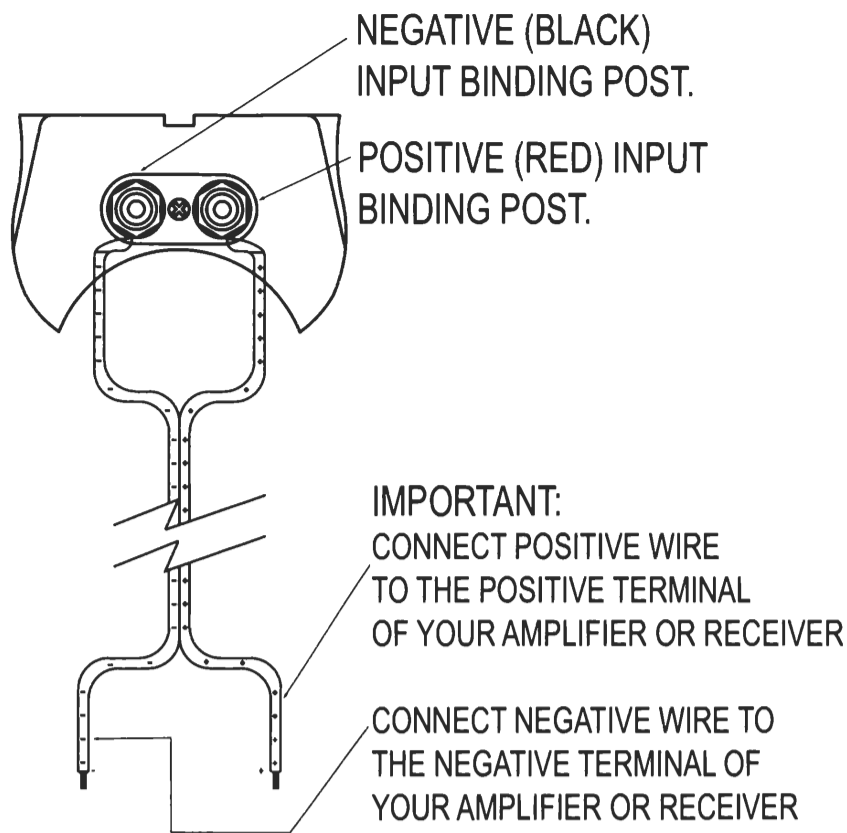


FIG 4: CONNECTING YOUR SPEAKERS



The following will assist you in connecting the individual speakers to your amplifier or receiver:

- (1) First turn your amplifier or receiver off to avoid damage which may result from accidental shorting of the speaker leads.
- (2) correct phase polarity is critical for proper stereo imaging and bass performance. the red (+) terminal on your amplifier or receiver must be connected to the red (+) terminal on your speaker. the same applies for the black (-) terminal.
- (3) connect one loudspeaker at a time to ensure proper connection of left and right channels. make sure all wires are firmly fastened.
- (4) if you notice a great lack of bass and/or central image focus, double check your connections for proper polarity.

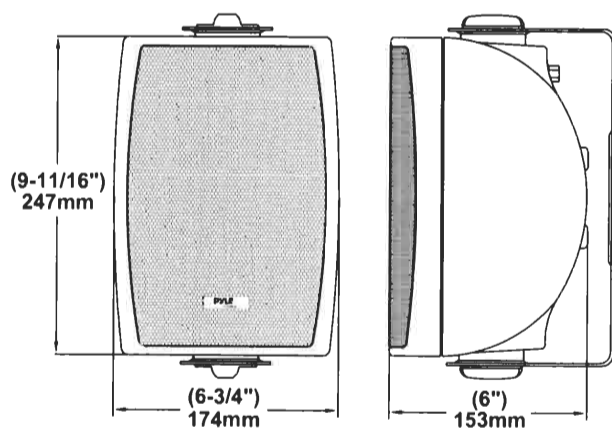
FEATURES:

PLMR44

TWO-WAY 4" SEALED SPEAKER SYSTEM:

- *Excellent for Monitor or Surround Sound Applications
- * 4" Long Throw Woofer
- * 3/4" Polymer Dome Tweeter
- * 250 Watts Rated Peak Power
- * Frequency Response: 90Hz-20KHz
- * 8 Ohm Impedance
- * Vented Design for High Power and Deep Bass Response
- * Heavy Duty Plastic Cabinet
- * Gold Plated Plug Terminals
- * Spring Loaded Mounting Bracket Included
- * Dimensions: 6-3/4"(W) x 9-11/16"(H) x 6"(D)

FIG 1: OVERALL DIMENSIONS

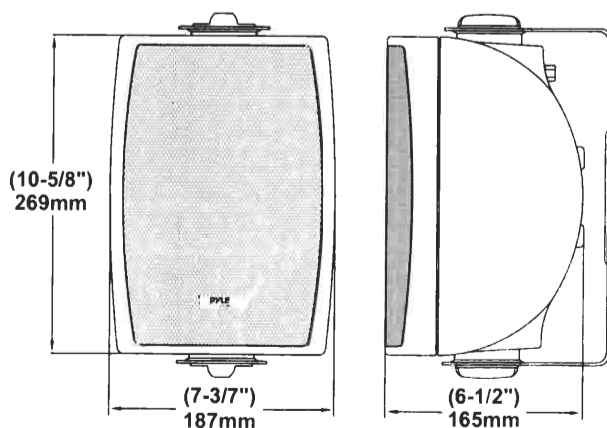


PLMR54

TWO-WAY 5-1/4" SEALED SPEAKER SYSTEM:

- *Excellent for Monitor or Surround Sound Applications
- * 5-1/4" Long Throw Woofer
- * 1" Polymer Dome Tweeter
- * 300 Watts Rated Peak Power
- * Frequency Response: 75Hz-20KHz
- * 8 Ohm Impedance
- * Vented Design for High Power and Deep Bass Response
- * Heavy Duty Plastic Cabinet
- * Gold Plated Plug Terminals
- * Spring Loaded Mounting Bracket Included
- * Dimensions: 7-3/8"(W) x 10-5/8"(H) x 6-1/2"(D)

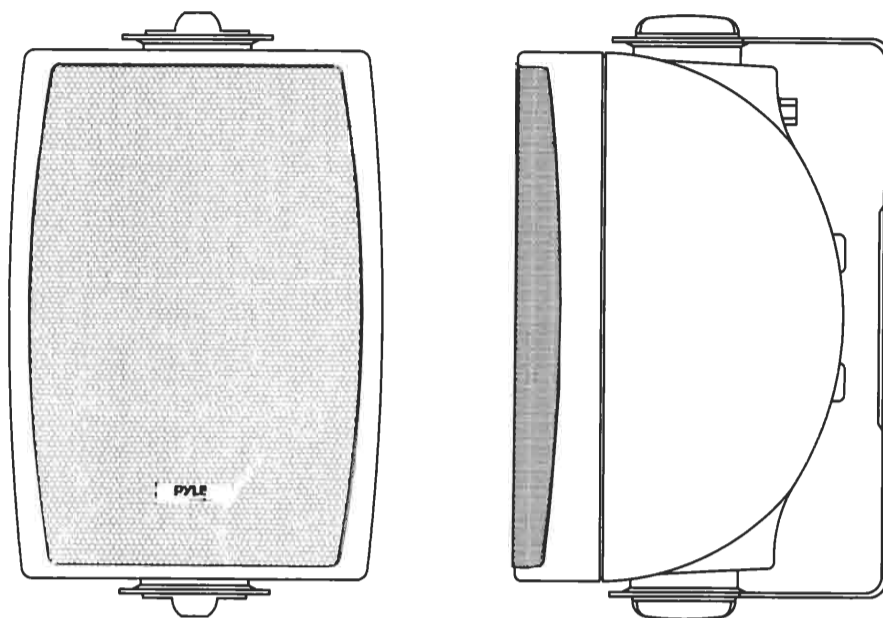
FIG 2: OVERALL DIMENSIONS



PYLE®

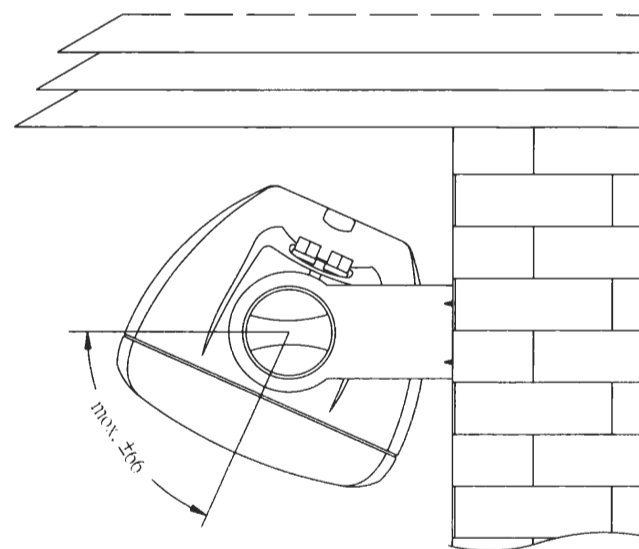


■ PLMR44 ■ PLMR54 SEALED SPEAKER SYSTEM



OWNER'S MANUAL www.pyleaudio.com

FIG 3: EAVE MOUNTING



MOUNTING THE BRACKET

- (1) Remove The Bracket Knobs And The Bracket From The Speaker.
- (2) Hold The Bracket Up To The Mounting Surface. "Plmr" Can Be Mounted Either Horizontally Or Vertically. Hold The Bracket So That The Speaker Wire Fits Through The Large, Circular Wire Hole In The Bracket. Align The Bracket To Be Square With The Surroundings (Use A Level For Accuracy.)
- (3) Mark The Locations Of The Three Shaped Screw Holes. Use All Of The Holes.
- (4) Drill Pilot Holes Into The Mounting Surface.
- (5) Gently Pull The Speaker Wire Through The Wire Hole In The Center Of The Mounting Bracket. Align The Bracket So That The Holes All Line Up.
- (6) Use Your Hardware To Attach The Bracket To The Mounting Surface.

FINAL ADJUSTMENTS

- (1) After Checking That The Speaker Is In-phase And Works Correctly, Angle The Speaker For The Best Sound.
- (2) Hand Tighten The Bracket Knobs Only. Power Tools May Over-tighten The Knob, And Strip The Threads Of The Insert.
- (3) Check That The Entire Installation Is Safe And Secure.