

USER / INSTALLATION MANUAL

**FUSION<sup>®</sup>**

# MS-AB206

ACTIVE SUBWOOFER WITH 2 CHANNEL  
CLASS-D SPEAKER AMPLIFIER



[WWW.FUSIONELECTRONICS.COM](http://WWW.FUSIONELECTRONICS.COM)

## FOR THOSE WHO ENJOY THE FINER THINGS IN LIFE

Introducing high-end audio for the marine cabin environment, designed for exceptional sound in any vessel. This now represents the highest quality purpose-built marine audio equipment from FUSION. With unrivalled bass reproduction, the MS-AB206 creates the perfect atmosphere for entertaining or relaxing.

Engineered at FUSION's industrial design headquarters in Auckland, New Zealand. Specifically tuned to produce the best acoustic result when installed in a saloon or cabin environment. When paired with the MS-BX3020 cabin speakers the sound is remarkable and like nothing you've heard before.

## FAMILY, FRIENDS, FUSION

It's what boating is all about.

### REGISTER YOUR PRODUCT ONLINE:

For your own peace of mind, register your product purchase online at  
**[www.fusionelectronics.com](http://www.fusionelectronics.com)**

We'll keep you up to date with any news related to your product or new accessories to help you get the most from your product.

All FUSION True Marine Products are backed by a 3 Year Limited Consumer Warranty and by registering your product you can be assured that if the unexpected occurs we'll have your details and be ready to help.

### RECORD YOUR PRODUCT DETAILS HERE:

SERIAL NUMBER: \_\_\_\_\_

DATE OF PURCHASE: \_\_\_\_\_

AFFIX RECEIPT HERE:

## CONTENTS OF THE BOX:

- 1 x MS-AB206 Active Subwoofer
- 1 x Power / GND / Remote-ON wiring loom
- 1 x 6M RCA Cable
- 4 x Stainless Steel Mounting Screws
- 1 x Control Panel Cover
- 2 x Control Panel Cover Screws
- Manual
- Warranty Card

## SPECIFICATIONS

Peak Power:	350 Watts Total (210 watts Subwoofer + 140 watt Speaker Output)	
Speaker Output Rated Power:	26 Watts RMS x 2 at 4 Ohms per channel 43 Watts RMS x 2 at 2 Ohms per channel — Connect two 4 ohm speakers in parallel per channel to achieve this output	
Speaker Frequency Response:	20Hz – 20kHz	
Subwoofer Frequency Response:	25Hz – 200Hz	
Low Pass Filter (variable):	25Hz – 200Hz	
Low Pass Filter (off):	Fixed for use with FUSION MS-BX3020	
Enclosure Type:	Passive Radiator	
Woofer Size:	6" Down Firing + 6" Passive radiator.	
Fuse:	15 amp	
DIMENSIONS	Length 500mm	19-11/16"
	Width 250mm	9-27/32"
	Height 163mm	6-13/32"

# CONTROL DESCRIPTIONS

## Sub Level

This allows the Subwoofer level to be adjusted to the desired balance with the speakers.

## Low Pass Filter (LPF)

The MS-AB206 has both a fixed and variable low pass filter. When pairing the MS-AB206 with the FUSION MS-BX3020 speakers, switch Low Pass filter to "off". When connecting other FUSION speakers, switch the Low Pass filter to "on", and adjust the frequency (25Hz – 200Hz).

## Auto On (For use when a remote on wire is unavailable)

Use this switch to utilize the "Auto On" feature of the MS-AB206. When an Audio Signal is present the unit will switch itself on and with no signal it will power off after a period of 90 seconds.

# INSTALLATION

Make sure the Marine Active Subwoofer is firmly secured.

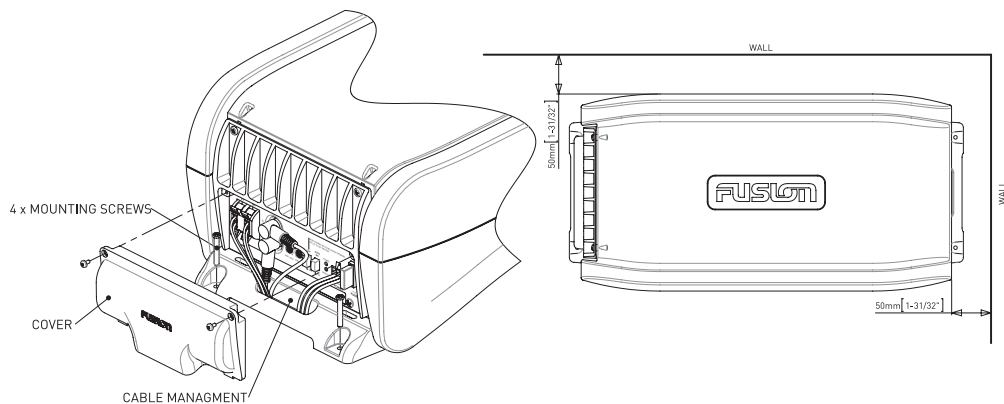
Check before drilling or cutting holes.

DO NOT work near fuel tanks, fuel lines, hydraulic lines or electrical wiring.

DO NOT mount the Marine Active Subwoofer in such a way as to pinch or damage the wires.

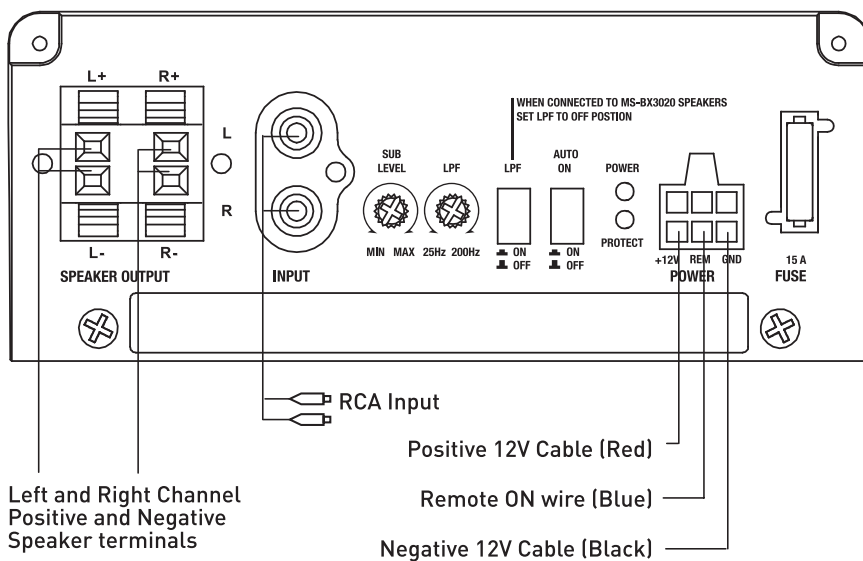
Make sure everything is firmly connected, before attaching the +12V wire. Make sure the +12V wire is fused as close as possible to the battery. ALWAYS use a fuse with the recommended rating.

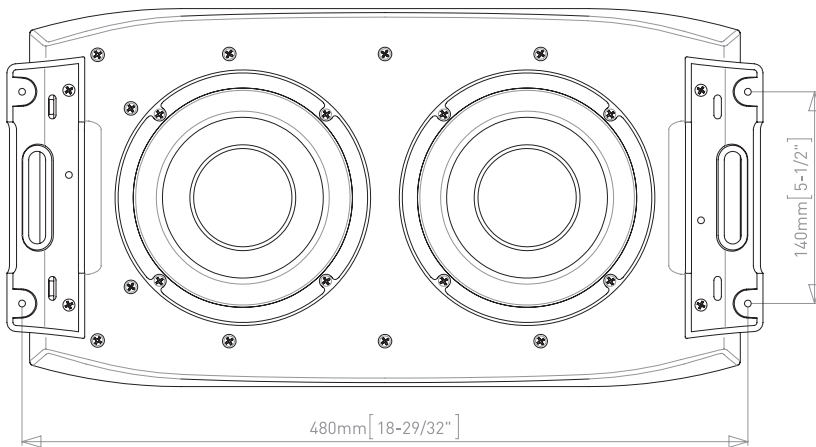
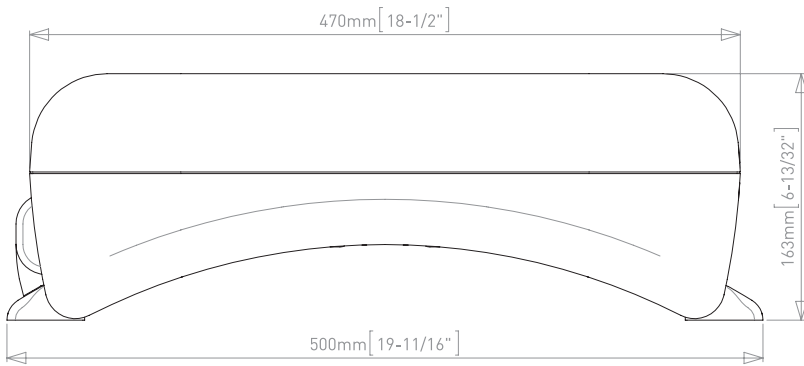
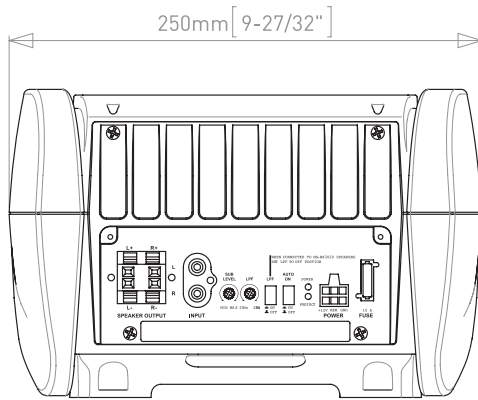
FUSION MS-AB206 is specifically designed for optimal performance, when placed in a two plane (wall plus floor) or a three plane (two walls plus floor) situation. Placement in a wall, (or a storage locker), behind a protective grille is also possible.



# WIRING

- Be sure to use the supplied wiring loom
- Run the positive and negative cables together.
- Connect to the vessel's 12V power system at a point such as a distribution panel where the positive and negative terminals or bus bars are positioned near to each other.
- Connect the negative cable (black) to the negative of the vessel's 12V power system — ensure this is the first cable to be connected
- Connect the positive cable (red) to the positive of the vessel's 12V power system. A fuse or circuit breaker must be used in the positive cable close to its connection to the vessel's 12V system.
- Use either the supplied inline fuse or a panel mounted fuse/circuit breaker of the same rating.
- If the supplied cables are not long enough, extend them with cable of the same gauge.
- For very long cable runs consult a qualified marine electronics installer.
- Connect the Remote ON wire (blue) to the remote turn on wire or power antenna wire of the head unit. If neither of these is available then select the "Auto On" feature of the MS-AB206.
- Connect the RCA cables to the source unit's full frequency range Pre-Out terminals — ensure RCA cables are run avoiding power and ground cables, also avoid other electric motors etc that could introduce unwanted noise.
- Connect the marine cabin speakers to the speaker outputs. Make sure to observe polarity.
- Check all connections.
- Finally connect the plug end of the power/negative/remote harness to the MS-AB206.







FUSION Electronics New Zealand	09 369 2900
FUSION Electronics Australia	1300 736 012
FUSION Electronics Europe	+31 76 5723 632
FUSION Electronics USA	623 580 9000
FUSION Electronics Pacific	+64 9 369 2900

---

[WWW.FUSIONELECTRONICS.COM](http://WWW.FUSIONELECTRONICS.COM)

**FUSION®**