

Instruction Manual

POWER ACOUSTIK

MFL-65WB

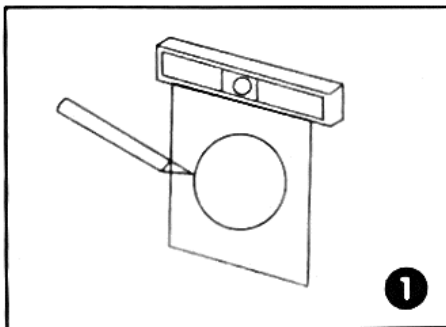
FEATURES

6.5" MARINE GRADE AUDIO SPEAKER w/BUILT-IN LED LIGHTS

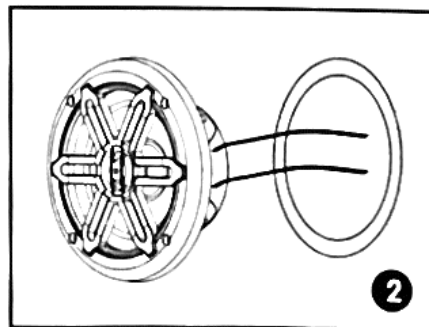
Marine Grade Waterproof 6.5" Coaxial Speaker
High Density ABS Construction w/ UV Coating
100% Waterproof Sealed Back Speaker Frame
Stainless Steel Mounting Hardware Included
Injection Molded Polypropylene speaker cone
Rubber Surround & Tweeter Pole Gasket
1" Titanium Dome Tweeter
White and Black Grills Included
Quick Disconnect Terminals
Meets ROHS and CE Certifications

With Built-in LED Lights
4-ohm System Impedance
400w MAX Power Handling
200w RMS Power Handling
60-20kHz Frequency Response
91dB System Efficiency (1w/1m)
2.55" Mounting Depth

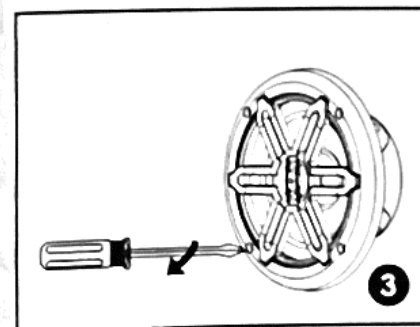
INSTALLATION GUIDE



1
Cut the drywall.
Note Always allow at least one-half inch between a wall stud and the speaker cutout or the locking tabs will not be able to swivel into place.

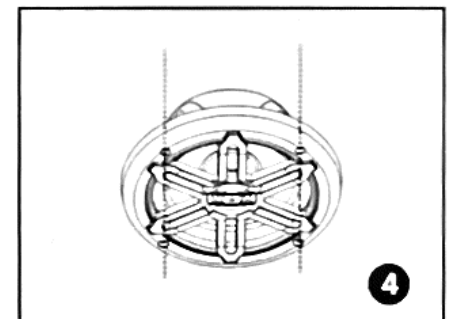
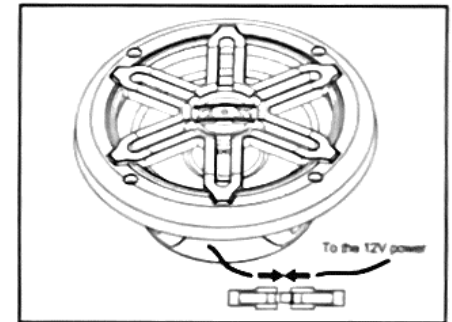


2
Connect the speaker wires to the speaker.



3
Screw down each of the four Phillips head screws. The locking tabs will swivel into place and secure the unit to the rear surface of the drywall. Put in the strips of adhesive to secure the grille.

LED Lights Connection Diagram



4
Replace the metal grille.