

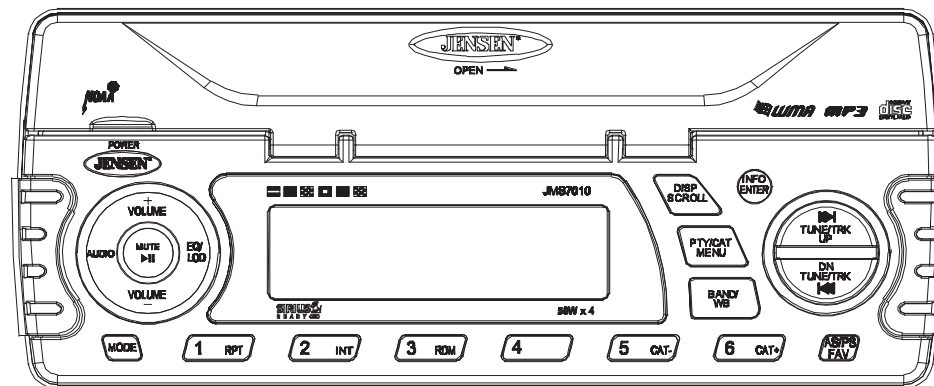


M A R I N E

JMS7010

Waterproof AM/FM/RBDS/WB/CDP/Sirius/iPod Ready Marine Radio

Installation and Operation Manual





M A R I N E

CONTENTS

System Features	1
Safety Information	2
Installation	3
Wiring	4
Basic Operation	5
Tuner Operation	8
CD/MP3/USB Playback	10
Satellite Radio Operation	11
iPod Operation	13
Care and Maintenance	15
Troubleshooting	15
Specifications	16

SYSTEM FEATURES

Features of the Jensen JMS7010 Marine radio include:

- Waterproof Face/Control Panel (IPX5)
- AM/FM US/EURO Tuner with 30 Presets (12 AM, 18 FM)
- RBDS (Radio Broadcast Data Service)
- SIRIUS Radio Ready
- Single In-Dash CD Player
- MP3/WMA Playback Capable
- iPod Ready
- Weatherband Tuner
- Pre-set Equalizer - 5 settings (Flat, Rock, Pop, Classical)
- Electronic Bass, Treble, Balance and Fader Controls
- Output Power 50W x 4
- Clock
- CD Door Open Alarm
- Low Vessel Battery Warning
- Wired Marine Remote Control Ready
- 4-Channel Pre-amp Line Level Outputs
- 2-Wire Power Non-Volatile Memory and Interior Power Clock/Time Support
- Auxiliary Audio Input

SAFETY INFORMATION

When Boating

Keep the volume level low enough to be aware of your surroundings.

Protect from Water

Do not submerge the product directly in water, as this can cause electrical shorts, fire or other damage.

Protect from High Temperatures

Exposure to direct sunlight for an extended period of time can produce very high temperatures inside your vessel. Give the unit time to cool down before starting playback.

Do not mount radio within close proximity of engine compartment.

Use the Proper Power Supply

This product is designed to operate with a 12 volt DC negative ground battery system.

Protect the Disc Mechanism

Avoid inserting any foreign objects into the disc slot. Misuse may cause malfunction or permanent damage due to the precise mechanism of this unit. Do not keep the CD door open for long periods of time. **EXPOSING THE UNIT TO WATER WITH THE CD DOOR OPEN WILL CAUSE DAMAGE OR MALFUNCTION.**

CAUTION: THIS MOBILE CD PLAYER IS A CLASS I LASER PRODUCT. THIS UNIT USES A VISIBLE/INVISIBLE LASER BEAM WHICH COULD CAUSE HAZARDOUS RADIATION IF EXPOSED DIRECTLY. BE SURE TO OPERATE THE MOBILE CD PLAYER AS INSTRUCTED.

USE OF CONTROLS OR ADJUSTMENTS OR PERFORMANCE OR PROCEDURES OTHER THAN THOSE SPECIFIED HEREIN MAY RESULT IN HAZARDOUS RADIATION EXPOSURE.

DO NOT OPEN COVERS AND DO NOT REPAIR BY YOURSELF. PLEASE REFER SERVICING TO A QUALIFIED TECHNICIAN.

WARNING:

- DO NOT OPEN, DISASSEMBLE OR ALTER THE UNIT IN ANY WAY. Doing so may result in fire, electric shock or product damage.
- USE THE CORRECT AMPERE RATING WHEN REPLACING FUSE. Failure to do so may result in fire, electric shock or product damage.
- DO NOT INSTALL IN LOCATIONS THAT MIGHT HINDER VESSEL OPERATION. Doing so may obstruct vision or hamper movement which can result in a serious accident.
- INSTALL THE WIRING SO THAT IT IS NOT CRIMPED OR PINCHED BY SCREWS OR SHARP METAL EDGES. Route the cables away from moving parts or sharp pointed edges. This will prevent crimping and damage to the wiring. If the wiring must pass through a metal hole, be sure to use a rubber grommet to prevent the wire's insulation from being cut by the metal edge of the hole. It is also recommended to apply sealing caulk to any opening that may potentially allow water to enter.
- Be sure to choose a location that is flat and has clearance above the unit to prevent any damage, as well as allow for ventilation.
- Before drilling any holes, carefully inspect the area underneath and behind the mounting surface where the devices will be mounted to make sure it will not interfere with existing wires, fuel lines, the fuel tank or any other objects that could be damaged.
- Always disconnect the vessel negative battery terminal to prevent accidental shorting during installation.

Disc Notes

Depending on the recording status, conditions of the disc, and the equipment used for recording, some CD-Rs/CD-RWs may not play on this unit. For more reliable playback, please adhere to the following recommendations:

- Use CD-RWs with speed 1x to 4x and write with speed 1x to 2x.
- Use CD-Rs with speed 1x to 8x and write with speed 1x to 2x.
- Do not play a CD-RW which has been written more than 5 times.

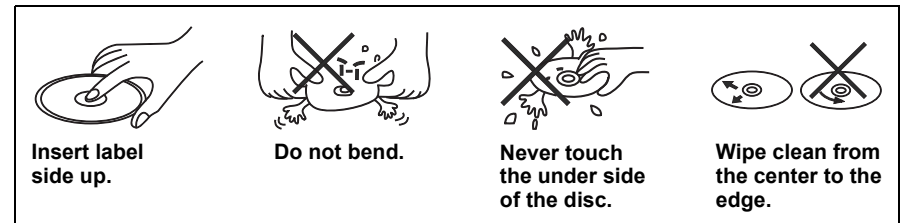
Compatible Disc Types

Disc Type	Logo	Diameter/ Playable Sides	Playback Time
Audio CD		12 cm single side	74 minutes

NOTE: CD-R and CD-RW discs will not play unless the recording session is closed and the CD is finalized.

Disc Maintenance

- A dirty or defective disc may cause sound dropouts while playing. Before playing, wipe the disc using a clean cloth, working from the center hole towards the outside edge. Never use benzene, thinners, cleaning fluids, anti-static liquids or any other solvent.



- Be sure to use only round CDs for this unit and do not use any special shape CDs. Use of special shape CDs may cause the unit to malfunction.
- Do not stick paper or tape on the disc. Do not use CDs with labels or stickers attached or that have sticky residue from removed stickers.
- Do not expose discs to direct sunlight or heat sources.

NOTE: A disc may become scratched (although not enough to make it unusable) depending on how you handle it and other conditions in the usage environment. These scratches are not an indication of a problem with the player.

INSTALLATION

This unit is designed for installation in vessels with an existing standard size DIN radio opening.

Before You Begin

- 1. Disconnect Battery**
Before you begin, always disconnect the battery negative terminal.
- 2. Remove Transport Screw**
Please remove the shipping screw before installation. If the screw is left in place, the CD mechanism will not operate.

Important Notes

- Before final installation, test the wiring connections to make sure the unit is connected properly and the system works.
- Use only the parts included with the unit to ensure proper installation. The use of unauthorized parts can cause malfunctions.
- Consult with your nearest dealer if installation requires the drilling of holes or other modifications to your vessel.
- Install the unit where it does not interfere with steering and cannot injure passengers if there is a sudden or emergency stop or sharp turn.
- Avoid installing the unit where it will be subject to high temperatures from direct sunlight or hot air, or where it would be subject to excessive dust, dirt or vibration.
- Install the unit within 30° of the horizontal plane.

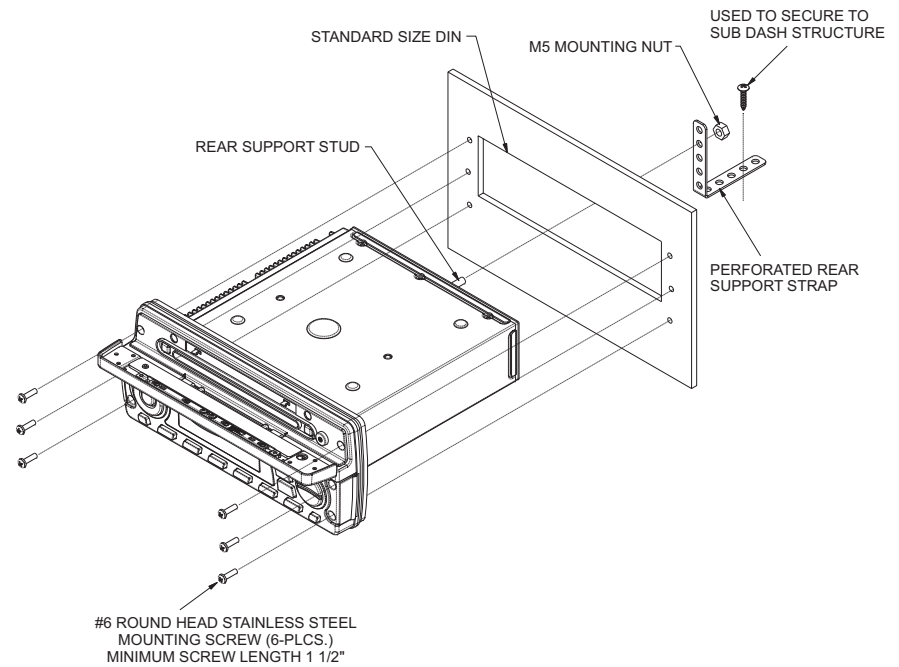
DIN Front Mount

1. Check the dashboard opening size by sliding the radio into it. If the opening is not large enough, carefully cut or file as necessary until the radio easily slides into the opening. Check that there will be sufficient space behind the dashboard for the radio chassis. Use the included drilling template to prepare the opening on a new mounting surface.
2. Place the radio in front of the dashboard opening so the wiring can be brought through the DIN opening.
3. Follow the wiring diagram carefully and make certain all connections are secure and insulated with crimp connectors or electrical tape to ensure proper operation.
4. After completing the wiring connections, turn the unit on to confirm operation (vessel accessory switch must be on). If the unit does not operate, recheck all wiring until the problem is corrected. Once proper operation is achieved, turn the accessory switch off and proceed with final mounting of the chassis.
5. Carefully slide the radio into the dashboard making sure it is right-side-up.
6. Attach one end of the Perforated Support Strap (supplied) to the Rear Support Stud on the rear of the chassis using the M5 Mounting Nut provided. Fasten the other end of the perforated strap to a secure part of the dashboard either above or below the radio using the screw and plain washer provided. Bend the strap, as necessary, to position it.
7. Install the six #6 Stainless Steel Mounting Screws through the front of the radio into the dashboard.

CAUTION: The perforated rear support strap must be used in the installation of the radio. Installation without the strap may result in damage to the radio or the mounting surface and void the manufacturer's warranty.

CAUTION: Radio must be secured using all 6 mounting points. Failure to do so may result in damage to the radio or dashboard.

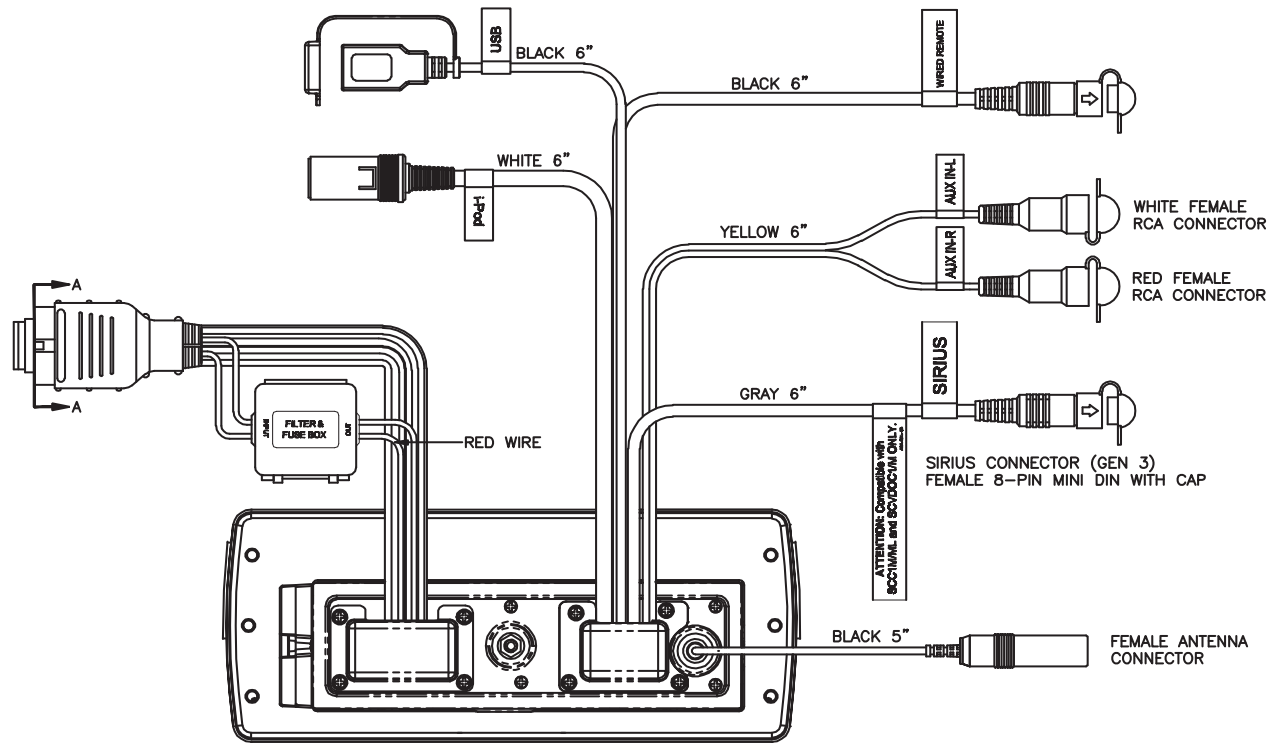
8. Test radio operation by referring to the operating instructions for the unit.



Reconnect Battery

When wiring is complete, reconnect the battery negative terminal.

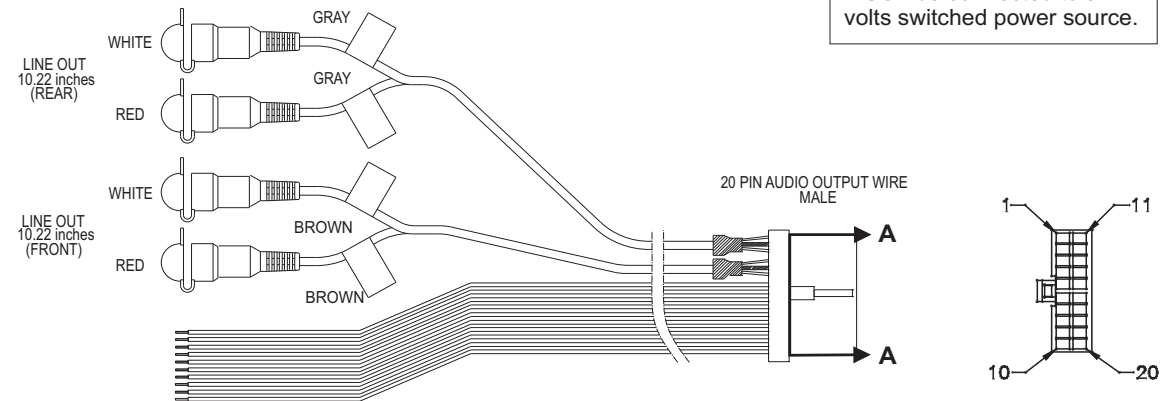
WIRING



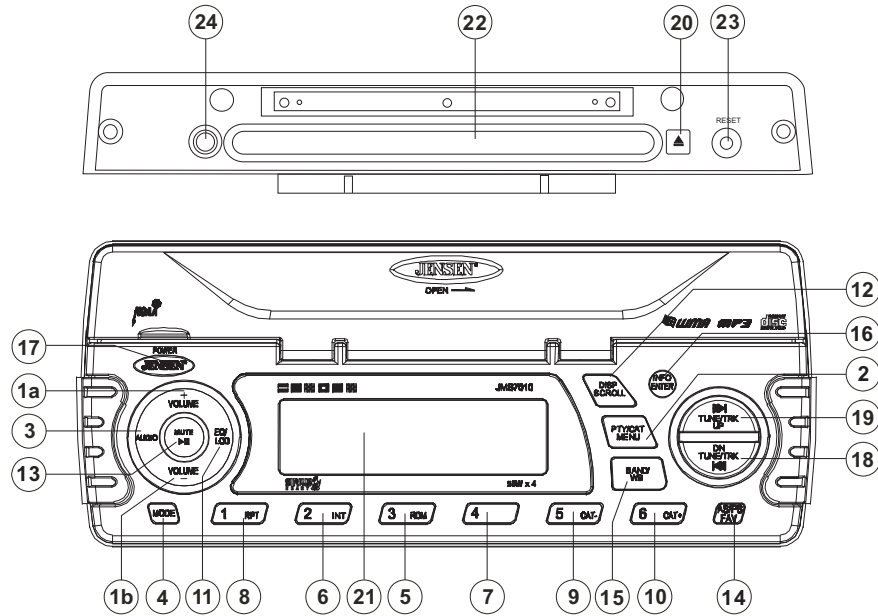
VIEW A-A
SHOWN FROM PIN VIEW

PIN NO.	WIRE COLOR	DESCRIPTION
1	GRAY/BLACK	RIGHT FRONT SPEAKER (-)
2	GRAY	RIGHT FRONT SPEAKER (+)
3	VIOLET	RIGHT REAR SPEAKER (+)
4	VIOLET/BLACK	RIGHT REAR SPEAKER (-)
5	EMPTY	NO CONNECTION
6	GREEN	LEFT REAR SPEAKER (+)
7	GREEN/BLACK	LEFT REAR SPEAKER (-)
8	EMPTY	NO CONNECTION
9	BLACK/SHIELD	REAR LINE AUDIO NEGATIVE
10	RED	REAR RIGHT LINE LEVEL OUT
11	WHITE	LEFT FRONT SPEAKER (+)
12	WHITE/BLACK	LEFT FRONT SPEAKER (-)
13	EMPTY	NO CONNECTION
14	BLUE	POWER ANTENNA
15	RED	+12 VOLTS SWITCHED
16	BLACK	GROUND
17	WHITE	FRONT LEFT LINE LEVEL OUT
18	RED	FRONT RIGHT LINE LEVEL OUT
19	BLACK/SHIELD	FRONT LINE AUDIO NEGATIVE
20	WHITE	REAR LEFT LINE LEVEL OUT

WARNING!
Do not connect the RED +DC wire to the battery. This wire MUST be connected to a +12 volts switched power source.



BASIC OPERATION



Power On/Off

Press the Jensen **POWER** button (17) to turn the unit on or off. The unit will resume at the last mode selected (Tuner, Auxiliary, etc.).

Volume Control

To increase the volume, press the **VOLUME +** button (1a). To decrease the volume, press the **VOLUME -** button (1b). While adjusting the volume, the LCD displays a bar graph and numerical representation of the level.



The maximum volume setting is 40.

Mute

Press the **MUTE** button (13) to mute the audio output. Press **MUTE** again to restore the audio output to the previous level.

Mode

Press the **MODE** button (4) to select a different mode of operation, as indicated on the display panel. Available modes include the following: Tuner (AM/FM) > SAT (Sirius) > iPod > CD > USB > Auxiliary. Tuner is the default source when a prior source is no longer available.

NOTE: CD, iPod, USB or Sirius (SAT) mode will be skipped if the module is not installed.

NOTE: Sirius (SAT) mode will be skipped when the Region menu option is set to "EURO".

Reset

The reset button (23), located inside the CD door, should be activated for the following reasons:

- initial installation of the unit when all wiring is completed
- function buttons do not operate
- error symbol on the display

Use a ball point pen or thin metal object to press the **RESET** button (23). This may be necessary should the unit display an error code.

Front Panel

Important Notes

- Always operate the unit with the front panel door closed.
- When closing the front panel door, do not apply pressure to the **OPEN** slide button (on the front of the unit under the "JENSEN" logo).
- Do not force front panel door operation when opening or closing.
- Do not touch the door open detection switch (24).

Front Panel Door Alarm

To prevent damage to the unit by entry of water or debris through the CD opening, the front panel door should only be opened for a short period of time during CD loading or ejecting. If the front panel door is left open for longer than 30 seconds, a beep tone will sound. Close the door to resume normal playback.

Audio Menu

Press the **AUDIO** button (3) to access the audio menu. You can navigate through the audio menu items by pressing the **AUDIO** button repeatedly. Once the desired menu item appears on the display, adjust that option using the **VOLUME +/-** buttons (1) within 5 seconds. The unit will automatically exit the audio menu after five seconds of inactivity. The following menu items can be adjusted.

Bass Level

Use the **VOLUME +/-** buttons (1) to adjust the Bass level range from “-7” to “+7”.

Treble Level

Use the **VOLUME +/-** buttons (1) to adjust the Treble level range from “-7” to “+7”.

Balance

Adjusting Balance controls the relative level between the left and right speakers in each pair. Use the **VOLUME +/-** buttons (1) to adjust the Balance between the left and right speakers from “Left 12” to “Right 12”.

Fader

Adjusting Fade controls the relative level between the front and rear speaker pairs. Use the **VOLUME +/-** buttons (1) to adjust the Fader between the rear and front speakers from “Rear 12” to “Front 12”.

System Menu

1. Press and hold the **PTY/CAT/MENU** button (2) for more than 2 seconds to enter the system menu. The first menu item, “Key Beep”, will appear on the display.
2. Press the **TUNE/TRK |<< / >>|** (18, 19) button repeatedly to navigate the system menu.
3. Press the **INFO/ENTER** button (16) to select the desired item.
4. Press the **INFO/ENTER** button again to adjust the selected menu item.

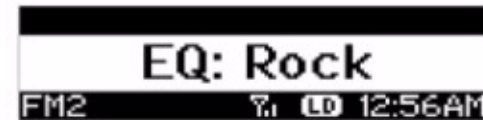
The following items can be adjusted:

- Key Beep (Click / Beep / Off): Turn the audible beep On/Off (heard when functions/buttons are selected).
- LCD Backlight (1-10): Adjust LCD brightness.
- LCD Contrast (1-10): Adjust LCD contrast.
- Tuning Region (USA / EURO): Set frequency spacing for various regions.
- Power-Off Clock (1-10 / Off)
- Clock Format (12Hour / 24Hour): Select 12 or 24 hour display mode.
- Set Clock (HH : MM):
 - Press the **INFO/ENTER** button (16) to view the clock set screen.
 - Press the **INFO/ENTER** button to move to the next digit.
 - Press the **TUNE/TRK |<< / >>|** (18, 19) buttons to adjust the selected digit.
- Preset-Only Tuning (On / Off)
- Sirius Satellite Radio (only appears when SIRIUS tuner is connected and in SIRIUS mode)
 - Clock Autoset (On / Off)
 - Time Zone1 (Atlantic / Eastern / Central / Mountain / Pacific / Alaska)
 - Daylight Saving Time (Observed / Not Observed)
 - Clear Skipped Channels (Yes / No)
 - Skipped Channels: List of Channels (Skipped / Visible)
 - Set Lock Code: _ _ _ _
 - Locked Channels: List of Channels (Locked / Unlocked)

- Enable Song Seek (Yes / No)
- Edit Favorite Songs: List of Favorite Songs (Enable / Disable / Delete)
- iPod Auto-Select (On / Off): Choose “On” to automatically detect and playback iPod when connected or “Off” to use the **MODE** button (4) to select the iPod source.
- Battery Alarm (Off / On): When On, if the battery supply voltage drops below 10.8V, indicating a possible problem with the vessel’s battery charging system, the radio will issue a low battery display warning and an audio beep once per minute. The warning and sound will continue until the unit is turned off or the voltage is restored to more than 10.8 Volts.
- Battery Auto-Off (Off / On)
- Reset System Defaults <ENTER>: Press the **INFO/ENTER** button (16) to return the JMS7010 to factory default set up values.
- Update Firmware <ENTER>: Press the **INFO/ENTER** button (16) to apply recent software updates.

Equalizer

Press the **EQ/LOUD** button (11) to choose one of the following pre-defined bass and treble curves: USER > FLAT > ROCK > CLASSICAL > POP.



Loudness

Press and hold the **EQ/LOUD** button (11) to toggle loudness on/off. When listening to music at low volumes, this feature will boost the bass and treble ranges to compensate for the characteristics of human hearing.

Auxiliary Input

To access an auxiliary device:

1. Connect the portable audio player to the AUX IN cables on the back of the radio.
2. Press the **MODE** button (4) to select “Auxiliary” mode. The rear AUX IN audio source will play by default until a device is inserted into the front jack.
3. Press **MODE** again to cancel “Auxiliary” mode and go to the next mode.

NOTE: The front AUX IN jack will override the rear auxiliary audio inputs.

Liquid Crystal Display (LCD)

The current frequency and activated functions are shown on the LCD panel (21).

NOTE: LCD panels may take longer to respond when subjected to cold temperatures for an extended period of time. In addition, the visibility of the characters on the LCD may decrease slightly. The LCD display will return to normal when the temperature increases to a normal range.

Setting the Clock

To set the clock to display the current time, turn the vessel ignition on and turn the radio on. Enter the system menu and adjust the clock by selecting the “Set Clock” menu item.

- Press the **INFO/ENTER** button (16) to view the clock set screen.
- Press the **INFO/ENTER** button to move to the next digit.
- Press the **TUNE/TRK** |<< / >>| (18, 19) buttons to adjust the selected digit.

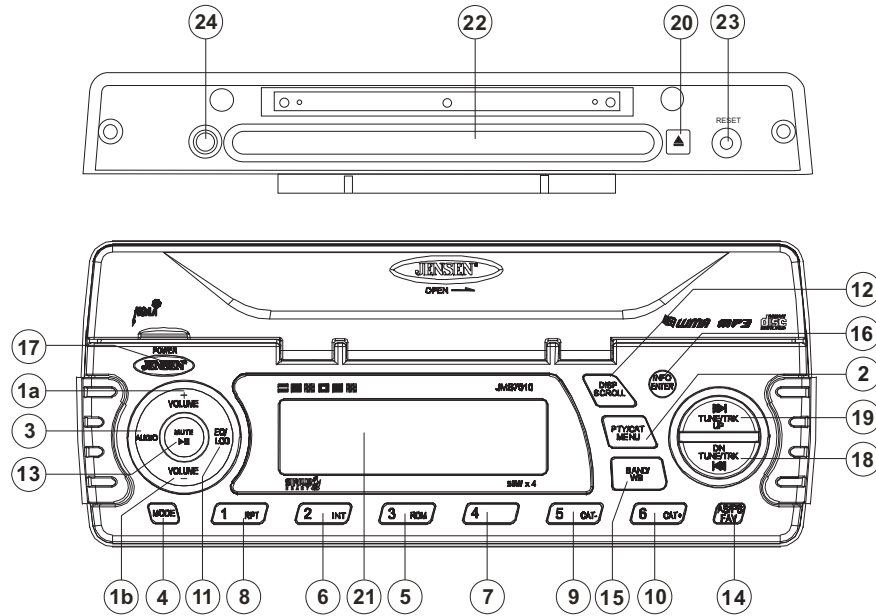
When no adjustment is made for five seconds, the time will become set and normal operation will resume.

Optionally, the clock can be set automatically in Sirius equipped radios by turning on the Clock Autoset feature and selecting the correct Time Zone and Daylight Saving Time options. These settings are accessed through the “Sirius Satellite Radio” menu under the System Menu.

Scroll

When the information is too long to be displayed on the LCD, press the **DISP/SCROLL** button (12) to view the entire title. The information will scroll twice and then return to abbreviated text.

TUNER OPERATION



Select a Band

Press the **BAND/WB** button (15) to change between three FM bands and two AM bands. *Press and hold* the **BAND/WB** button to access the Weatherband (WB).

Manual Tuning

Press the **TUNE/TRK >>|** or **|<<** buttons (19, 18) to seek stations up/down step by step.

Auto Seek Tuning

Press and hold the **TUNE/TRK >>|** or **|<<** buttons (19, 18) to automatically seek the next or previous strong station.

NOTE: *Seek tuning is not available for weather band channels. Use the up or down tuning buttons to manually select any of the seven available weather band channels.*

Preset Stations

Six numbered preset buttons store and recall stations for each band.

Store a Station

Select a band (if needed), then select a station. *Press and hold* a preset button (5-10) for two seconds. The preset number will appear on the LCD.

Recall a Station

Select a band (if needed). Press a preset button (5-10) to select the corresponding stored station.

NOTE: *Preset buttons are pre-assigned frequencies in weather band mode.*

Automatically Store / Preset Scan (AS/PS)

Automatically Store

Select an AM or FM band. *Press and hold* the **AS/PS/FAV** button (14) for more than 2 seconds to automatically select 18 strong stations (12 for AM). "Storing Presets" appears on the screen and the new stations replace any stations already stored.

Preset Scan

Select a band. Press **AS/PS/FAV** (14) to scan stations stored in the current band. The unit will pause for 5 seconds at each preset station. Press **AS/PS/FAV** again to stop scanning when the desired station is reached.

RBDS Operation

This unit is equipped to display RBDS (Radio Broadcast Data Service) information when broadcast by the radio station.

NOTE: *Radio stations broadcasting RBDS may not be available in your listening area.*

In FM radio mode, press the **PTY/CAT/MENU** button (2) to list the following Program Type (PTY) options: ANY / News / Information / Sports / Talk / Rock / Classic Rock / Adult Hits / Soft Rock / Top 40 / Country / Oldies / Soft / Nostalgia / Jazz / Classical / Rhythm and Blues / Soft Rhythm & Blues / Foreign Language / Religious Music / Religious Talk / Personality / Public / College / Weather / Emergency Test / ALARM! ALARM!

To search for stations in a PTY category:

1. Press the **PTY/CAT/MENU** button (2) to view the current PTY category.
2. Press the **TUNE/TRK >>|** or **|<<** buttons (19, 18) to move through the list of available categories and select the program type you wish to search.
3. After selecting the desired PTY, press the **PTY/CAT/MENU** button (2) to search the band for broadcasts of this type. "PTY Search" is displayed while the tuner is searching.

NOTE: *Performing a PTY search on "ANY" will Seek Tune and stop on any station broadcasting RBDS, regardless of the program type.*

Weather Band Operation

What is the NOAA Weather Radio/Weatheradio Canada?

NOAA (National Oceanic and Atmospheric Administration) is a nationwide system that broadcasts local weather emergency information 24 hours a day via the National Weather Service (NWS) network. The U.S. network has more than 530 stations covering the 50 states as well as the adjacent costal waters, Puerto Rico, the U.S. Virgin Islands and the U.S. Pacific Territories. Each local area has its own transmitting station and there are a total of seven broadcasting frequencies used. A similar system is available in Canada under the Weatheradio Canada service administered by Environment Canada.

Tuning to Weatherband

Press and hold the **BAND/WB** button (15) to access the Weatherband. The indication "WB" will appear on the display panel, along with the current number and channel indication: "WB-1", "WB-2", "WB-3", "WB-4", "WB-5", "WB-6" or "WB-7". The seven frequencies are shown in the following table:

Table 1: WB Frequencies

Frequency (MHz)	Preset
162.400	2
162.425	4
162.450	5
162.475	3
162.500	6
162.525	-
162.550	1

The above table also shows which preset button will access the frequency. Note that one frequency cannot be accessed using a preset button. The frequency can only be reached using the tuning controls.

Use the **TUNE/TRK >>|** or **|<<** buttons (19, 18) or the preset buttons to tune to each of the seven channels until you find the weatherband station broadcasting in your area.

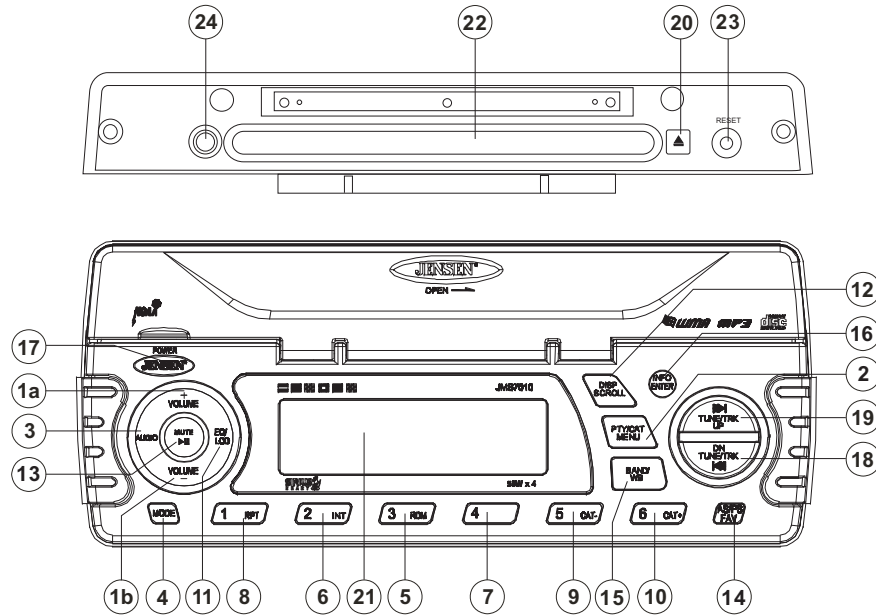
How many stations can I expect to receive?

Since the broadcasts are local weather and information, the transmission power is usually very low (much less than standard AM or FM stations) so you will usually receive only one station unless you are on the edge of two or more broadcast signals. The most you will receive will be two or three, and that is rare.

Is it possible I won't receive any stations?

Depending on where you are located, there is a possibility you will receive only a very weak signal or none at all. Also, similar to AM and FM signals, weatherband signals are subject to surrounding conditions, weather, obstructions of the signal by hills or mountains, etc.

CD/MP3/USB PLAYBACK



Digital File Playback

If the user inserts a data disc or connects a USB mass storage device, the radio automatically powers on, if necessary, and switches to digital file playback mode and selects that physical media. The bottom left corner of the LCD displays the name of the source. Changing modes or turning off the radio pauses playback. Playback will resume exactly where paused when returning to digital file playback mode.

Inserting and Ejecting a Disc

Insert a disc, label-side up, into the disc slot (22). The unit will automatically draw the disc in and play the first track on the disc, whether the power was turned on or not.

Press the eject ▲ button (20) to stop disc play and eject the disc. The unit does not have to be on to eject the disc. Disc will retract if not removed.

Inserting a USB Device

The wired USB connector is at the rear of the radio. Insert a USB device to switch to USB mode and begin playback.

Controlling File Playback

Selecting Tracks

Press the **TUNE/TRK >>|** (19) or **TUNE/TRK |<<** button (18) to advance to the next track/file. The selected track number will appear on the display. *Press and hold* the **TUNE/TRK >>|** or **|<<** button to fast forward or fast reverse. Playback resumes when the button is released.

Play/Pause Disc Playback

Press the **MUTE/>||** button (24) to suspend playback. "Pause" is displayed on the screen. Press the **MUTE/>||** button again to resume play.

Previewing Tracks

Press the **2/INT** button (6) to play the first 10 seconds of each track in the current folder sequentially. Press **2/INT** again to stop Intro Scan and resume normal play at the current track.

Repeat Play

- Press the **1/RPT** button (8) during disc play to repeat the current track.
- Press **1/RPT** again to stop repeat play.

Random Play

- Press the **3/RDM** button (5) during disc play to play all tracks in the current folder in random, shuffled order.
- Press **3/RDM** again to stop random play.

Folder Navigation (MP3 Only)

- Press the **PTY/CAT/MENU** button (2) to view a list of all songs in the current folder.
- Press the **PTY/CAT/MENU** button again to navigate up through the file structure.
- Press the **>>| / UP** (19) and **|<< / DN** (18) buttons to navigate the list.
- Press the **INFO/ENTER** button (16) to play the highlighted song or view files in the selected folder. Continue pressing **INFO/ENTER** until the desired file is selected.

The unit will automatically exit the folder navigation menu after 5 seconds of inactivity.

MP3 Specifications

Notes on MP3 Playback

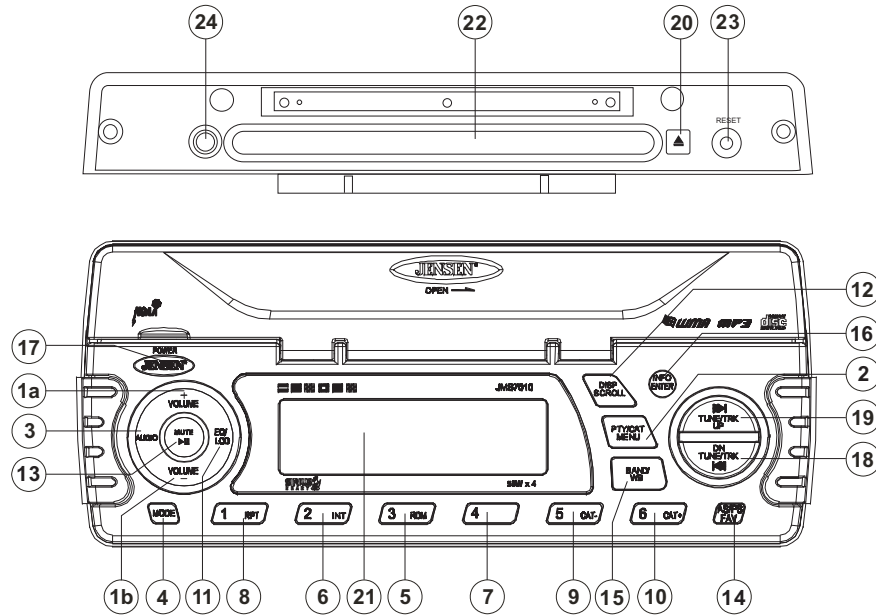
- Any directory that does not include an MP3 file is skipped
- Maximum number of folders: 512 (including skipped directories)
- Maximum number of folder levels: 12
- Maximum number of MP3 files: 999
- Maximum number of characters for MP3 file name and folder name: 32
- Sampling frequency: 16KHz, 22.05KHz, 24KHz, 32KHz, 44.1KHz, 48KHz
- Bit rates: maximum 384 Kbps
- Maximum number of Characters of ID3 Tag:
 - ID3 Tag version 1.0: 32
 - ID3 Tag version 2.x: 32

File Playing Order

Files will be continually played sequentially within the current folder. To play songs in another folder, press the **PTY/CAT/MENU** button (2) twice to move up a folder level. Press the **>>| / UP** (19) and **|<< / DN** (18) buttons to navigate the list and then press the **INFO/ENTER** button (16) to access the selected song or folder.

You can set the order in which MP3/WMA are to be played by writing them onto a medium such as a CD-R with their file names beginning with play sequence numbers such as "01" to "99".

SATELLITE RADIO OPERATION



Switching to Sirius Satellite Radio (Requires optional Sirius tuner)

Press the **MODE** button (4) as many times as necessary to change the mode to Sirius radio mode.

Accessing your Sirius RADIO ID

To display your Sirius radio ID, use the **TUNE/TRK** |<< / >>| button to tune to channel "000". The screen will display "Sirius ID" with the SID displayed in the middle of the LCD screen. The Sirius radio ID is 12 characters long.

Selecting a Band

In Sirius mode, press the **BAND/WB** button (15) to access the Sirius user-preset channel groups in the following order: SR1, SR2, SR3.

Category Tuning

1. Press the **PTY/CAT/MENU** button (2) to access Category mode.
2. While in category mode, press **5/CAT- OR 6/CAT+** buttons (9, 10) to choose a category.
3. Press the **TUNE/TRK** |<< / >>| buttons (18, 19) to choose desired channels in that category. (The current channel number within the chosen category will always be the default first channel tuned.)
4. Press the **PTY/CAT/MENU** button to return to channel tuning mode.

Channel Up/Down Tuning

Press the **TUNE/TRK** |<< / >>| buttons (18, 19) to search for a channel. *Press and hold* the **TUNE/TRK** buttons to fast search.

Direct Tuning Mode

1. *Press and hold* the **INFO/ENTER** button (16) to enter direct tuning mode.
2. Press **TUNE/TRK** |<< / >>| buttons (18, 19) to change the first of three digits for the desired channel in the direct entry screen.
3. Press the **INFO/ENTER** button to confirm the entered digit and move to the second digit field.
4. Press **TUNE/TRK** |<< / >>| buttons to select the second digit.
5. Press the **INFO/ENTER** button to confirm the entered digit and move to the third digit field.
6. Press **TUNE/TRK** |<< / >>| buttons to select the third digit.
7. Press the **INFO/ENTER** button to confirm the three digit channel and tune to the selected channel.

Storing Preset Channels

The preset buttons (5-10) can be used to store 6 channels, allowing convenient access to your favorite channels.

Programming Channels

1. Select the channel you want to store in memory.
2. *Press and hold* a preset button (5-10) until the corresponding preset button number appears.
3. Repeat steps 1 and 2 to program additional channels.

Preset Recall

Press one of the six preset buttons (5-10) to directly select a preset channel stored in the current band.

Preset Scan

Press **AS/PS/FAV** button (14) to scan stations stored in all three user-preset channel groups (SR1, SR2 and SR3). The unit will pause for 10 seconds at each preset station. Press **AS/PS** again to stop scanning when the desired station is reached.

Preset Tuning

In Preset Tuning Mode, you can use the **TUNE/TRK** |<< / >>| buttons (18, 19) to access all 18 preset stations in sequential order. Access preset tuning mode through the system menu. Set Preset-Only Tuning to "ON."

Alternate Display Mode




Press the **DISP/SCROLL** button (12) to change the display information between single and dual line text display. In dual line mode, both artist and title are available for viewing.

Press and hold the **DISP/SCROLL** button to scroll the Artist/Song Title information.

While in category tuning list mode, press the **DISP/SCROLL** button in sequence to change the display information from Channel Name, Artist, and Song Title.



Satellite Signal Strength

The display will indicate satellite reception strength as shown below.

Signal Strength	Strength Display
No Signal	
Weak	
Good	
Excellent	

Channel Lock

Access Channel Lock through the System Menu under the "Sirius Satellite Radio" menu. See "System Menu" on page 6.

1. Select "Set Lock Code."
2. No channels can be locked with the default 0000 code. To set the lock code:
 - a. Press the **TUNE/TRK** |<< / >>| (18, 19) buttons to enter the first digit of the default code.
 - b. Press the **INFO/ENTER** button to move to the next digit.
 - c. Repeat above steps to enter all 4 digits of the default code.
 - d. Press the **TUNE/TRK** |<< / >>| (18, 19) buttons to enter the first digit of the new code.
 - e. Press the **INFO/ENTER** button to move to the next digit.
 - f. Repeat above steps to enter all 4 digits.
 - g. Repeat above steps to confirm the new code.
8. After setting a new four digit code, you can lock channels by entering the "Locked Channels" menu.
9. Upon entering the Locked Channels list, you will be prompted to enter your four digit code.
 - a. Press the **TUNE/TRK** |<< / >>| (18, 19) buttons to enter the first digit.
 - b. Press the **INFO/ENTER** button to move to the next digit.
 - c. Repeat above steps to enter all 4 digits.
4. After entering the code, you can navigate the list using the **TUNE/TRK** |<< / >>| buttons to highlight the channels.
5. Press the **INFO/ENTER** button (16) to Lock (indicated by a  icon) or Unlock () the selected channel.

Favorites (Song/Artist Seek)

This feature lets you store and search for up to 15 Artist/Song combinations on Sirius Satellite Radio. To enable favorites notification, turn Enable Song Seek on under the "Sirius Satellite Radio" menu on the System Menu. See "System Menu" on page 6.

1. Select "Enable Song Seek."
2. Press the **INFO/ENTER** button (16) to turn the option "on".

Select/Set Favorite Song or Artist

1. While the current song is playing, press and hold the **AS/PS/FAV** button (14).
2. Press the **INFO/ENTER** button (16) to select the Artist to be stored or press the **AS/PS/FAV** button to select the Song to be stored.

Next time the stored artist or song is played on Sirius Satellite Radio, you will be notified with an alert and can then choose to tune to the channel playing the Song or Artist.

Remove Favorite Song or Artist

The list of stored Artists/Songs can be managed through the System Menu under the "Sirius Satellite Radio" menu. See "System Menu" on page 6.

1. Select "Remove Favorites".
2. Select items to be removed from notification list.

iPod OPERATION

This unit is equipped with an iPod ready function that will allow you to control your iPod (if compatible) using the control panel buttons. The following iPod versions are supported:

- iPod Nano (1G, 2G, 3G, 4G and 5G)
- iPod 5G
- iPod Classic
- iPhone, iPhone 3G, iPhone 3GS
- iPod Touch
- iPod Touch 2G

NOTE: Earlier model iPods are not supported because they do not implement the USB control protocol. Also, the iPod Shuffle is not supported because it does not utilize the 30-pin Apple iPod Connector. These unsupported iPod models may be connected to the radio using one of the Auxiliary Inputs.

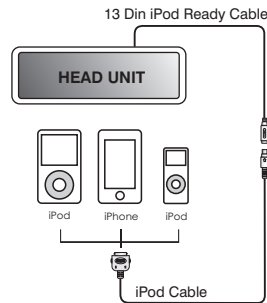
NOTE: iPod and iPod Cable sold separately.

Accessing iPod Mode

To enter iPod mode from any other source, press the **MODE** button (4) until "iPod" appears on the lower left corner of the display. If the user connects an iPod containing no songs, the radio will display a message stating "No Songs" when it enters iPod mode.

Turning the iPod On/Off

The iPod power turns on automatically when an iPod is connected to the 30-pin iPod cable, as long as the vessel ignition is turned on. You can turn the iPod off by disconnecting it from the cable or by turning the ignition off. When the ignition is turned off, the iPod will pause and then enter sleep mode after 2 minutes. While the iPod is connected, the power cannot be turned on or off from the iPod itself.



NOTE: The iPod will continuously recharge when connected to the unit, as long as the vessel ignition is turned on.

Controlling Playback

Pausing Playback

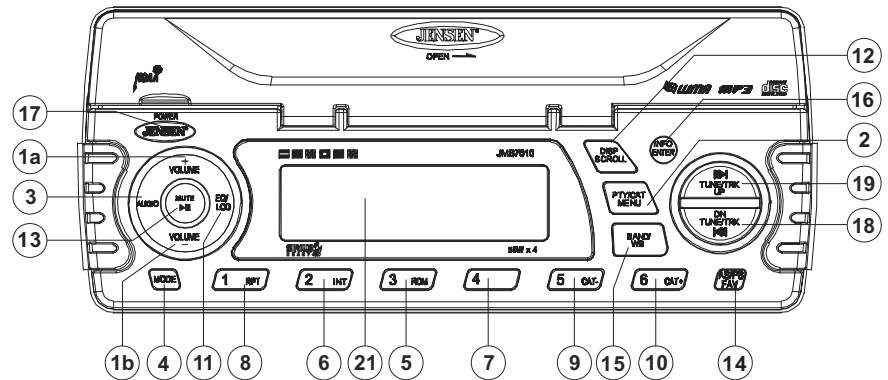
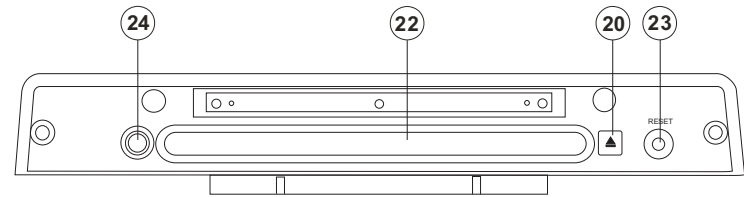
During playback, press the **MUTE/>>||** button (24) to pause the iPod player. "Pause" will appear on the LCD. Press **MUTE/>>||** again to resume playback.

Repeat Play

During playback, press the **1/RPT** button (8) to repeat the current song. "RPT" will appear on the LCD. Press **1/RPT** again to stop repeat playback.

Intro Play

During playback, press the **2/INT** button (6) to play the first ten seconds of each song. "INT" will appear on the LCD. Press **2/INT** again to stop intro playback.



Random Play

During playback, press the **3/RDM** button (5) to play all songs in the current category in random order. Random play will begin once the current song has finished playing. "RDM" will appear on the LCD. Press **3/RDM** again to stop random playback.

Selecting Tracks

During playback, press the **TUNE/TRK << / >>** buttons (18, 19) to play the previous or next track in the current category. Press the **TUNE/TRK <<** button (18) once to play the song from the start position or press **TUNE/TRK <<** twice to play the previous track. Pressing the **TUNE/TRK <<** button (18) during the first 2 seconds of a track will play the previous track. After 2 seconds, this action return to the beginning of the current track.

Press and hold the **TUNE/TRK << / >>** button (18, 19) to fast reverse/forward the song.

NOTE: If you press and hold the TUNE/TRK << / >> button to change the current song to the previous/next song, you will exit fast reverse/forward mode.



M A R I N E

Playlist Search

Press the **PTY/CAT/MENU** button (2) to access Playlist selection mode. While in Category mode, press the **TUNE/TRK** |<< / >>| buttons (18, 19) to choose file search by Playlist, Artist, Album, Genre, Song, Audiobook or Podcast. Press the **INFO/ENTER** button (16) to select the search mode. Use the **TUNE/TRK** |<< / >>| buttons to search the available files on the iPod. Press the **INFO/ENTER** button to play the selected song or file.

Alternate Display Mode

Press the **DISP/SCROLL** button (12) to change the display information between single and double line text display.

CARE AND MAINTENANCE

- If liquids (coffee, soda, etc.) are spilled on the radio, wipe it dry immediately. Some liquids contain minerals that can corrode the electronic circuits.
- Keep the product away from dust and dirt, which can cause premature wear of parts.
- Handle the product gently and carefully. Dropping it can damage circuit boards and cases, and can cause the product to work improperly.
- Wipe the product with a dampened cloth occasionally to keep it looking new. Do not use harsh chemicals, cleaning solvents, or strong detergents to clean the product.
- Use and store the product only in normal temperature environments. High temperature can shorten the life of electronic devices, damage batteries, and distort or melt plastic parts.

Ignition

The most common source of noise in reception is the ignition system. This is a result of the radio being placed close to the ignition system (engine). This type of noise can be easily detected because it will vary in intensity of pitch with the speed of the engine.

Usually, the ignition noise can be suppressed considerably by using a radio suppression type high voltage ignition wire and suppressor resistor in the ignition system. (Most vessels employ this wire and resistor but it may be necessary to check them for correct operation.) Another method of suppression is the use of additional noise suppressors. These can be obtained from most professional mobile electronics retailers.

Interference

Radio reception in a moving environment is very different from reception in a stationary environment (home). It is very important to understand the difference.

AM reception will deteriorate when passing under a bridge or when passing under high voltage lines. Although AM is subject to environmental noise, it has the ability to be received at great distance. This is because broadcasting signals follow the curvature of the earth and are reflected back by the upper atmosphere.

TROUBLESHOOTING

Symptom	Cause	Solution
No power	The vessel's +12V switched power source is not on	If the radio power supply is properly connected to the vessel's +12V switched power source terminal, switch to "on" position
	The fuse is blown	Replace the fuse
Disc cannot be loaded or ejected	Presence of CD disc inside the player	Remove the disc in the player and insert the new one If disc will not eject, press the RESET button
Disc error	Inserting the disc in upside down	Insert the compact disc with the label facing upward
	Compact disc is extremely dirty or disc is defective	Clean the disc or try to play a new one
	Condensation	Leave the player off for an hour or so, then try again
No sound	Volume is too low or system is muted	Adjust volume to audible level
	Wiring is not properly connected	Check wiring connections
The operation keys do not work	Front panel not properly closed	Close front panel
	The built-in microcomputer is not operating properly	Press the RESET button
CD sound skips	The installation angle is more than 30 degrees	Adjust the installation angle to less than 30 degrees
	The disc is dirty or defective.	Clean the disc and try to play again or use new disc
Cannot tune to radio station, auto-seek does not work	The antenna cable is not connected	Check antenna cable
	The signals are too weak	Select a station manually

SPECIFICATIONS

CD

Signal to Noise Ratio ≥ 75 dB
 Channel Separation : More than 50 dB
 Frequency Response : 20 Hz - 20 kHz

FM Radio

Frequency Coverage (USA) 87.5 to 107.9 MHz
 Frequency Coverage (Europe) 87.5 to 108 MHz
 Sensitivity (S/N=30dB)4 μ V
 Image Rejection >45 dB
 Stereo Separation >25 dB

AM/MW

Frequency Range (USA) 530-1710 kHz
 Frequency Range (Europe) 522-1620 kHz
 Sensitivity (S/N=20dB) 36 dB

General

Operating Voltage DC 12 Volts
 Grounding System Negative Ground
 Speaker Impedance 4-8 ohms per channel
 Tone Controls:
 Bass (at 100 Hz) : ± 10 dB
 Treble (at 10 kHz) : ± 10 dB
 Power Output 50W x 4
 Current Drain 15 Ampere (max.)
 Idle/Standby Current 75mA/0mA
 Dimensions 80 (W) x 183 (D) x 58 (H)



ASA Electronics Corporation

www.asaelectronics.com

www.jensenmarinedirect.com

© 2010 ASA Electronics Corporation

v.051910