



DESIGNED TO MOVE [YOU]®

JHD40BT

AM|FM|WB|USB Bluetooth Stereo



KEY FEATURES

- Maximum power output: 160W (4x40W)
- Receives Bluetooth streaming audio (A2DP) and controls (AVRCP) BT enabled devices
- Waterproof (IPX6)
- 7-channel NOAA Weatherband tuner
- AM/FM electronic tuner (US/Euro)
- 30 programmable station presets (18FM, 12AM)
- Auto-store/Preset scan
- iPod/iPhone ready via USB (rear pig tail)
- Two wire power (ground, +12VDC switched)
- Line level audio out (rear RCA pair)
- Auxiliary audio input (rear RCA pair)
- Multiple mounting capability; front flush mount, rear flush mount and surface mount with AMPS pattern
- White LED backlit dot matrix LCD display and buttons
- AMP remote turn on (12V @500mA)
- Wired remote control ready (Harley Davidson™ Compatible)
- Low battery warning
- Conformal coated circuit boards
- UV-resistant finishes/materials (meets ASTM D4329)
- Corrosion resistant materials (meets ASTM B117)

ASAelectronics
 THE MOBILE ELECTRONICS COMPANY SINCE 1977
 2602 Marina Drive • Elkhart, IN 46514
 www.asaelectronics.com

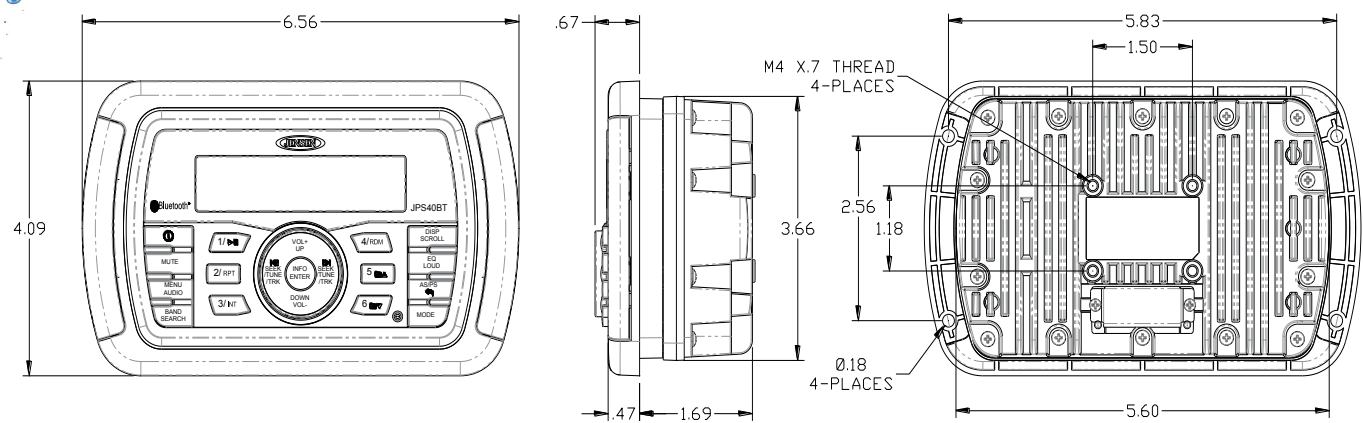
MARINE ENTERTAINMENT

Features and specifications subject to change without notice.



JHD40BT

AM|FM|WB|USB Bluetooth Stereo



Specifications		
General Specifications		
Power System		12 VDC
Operating Voltage Range		9 V to 16 V
Current Draw @ 12V	Idle	mA
	Nominal	A
	Maximum	A
Water Resistance Rating		IPX6
Operating Temperature Range		-22°F to 185°F -30°C to 85°C
Storage Temperature Range		-40°F to 185°F -40°C to 85°C
Maximum Relative Humidity		100%
Overall Dimensions		L x W x D
Product Weight (unpacked)		lb.
Performance Specifications		
FM Sensitivity		1 uV
AM Sensitivity		20 uV
Output Power	RMS	22 W x 4
	Maximum	40 W x 4
Total Harmonic Distortion @ 1 Watt		<1%
Applied Test Suite		ASA ES0013
Regulatory Certification		FCC Part 15B; ; E-Mark CE; RoHS