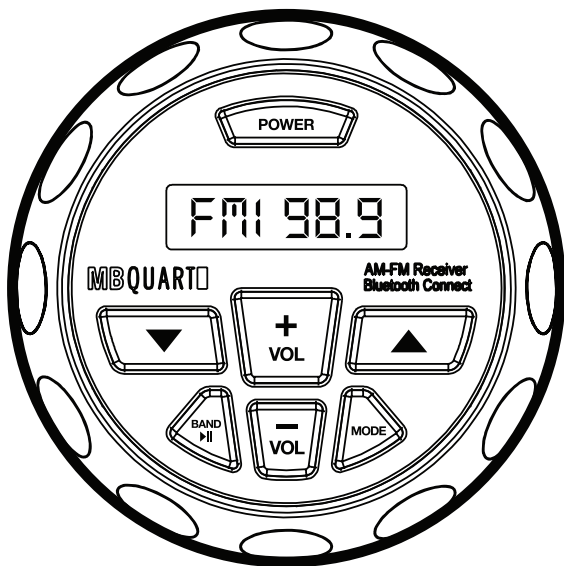


MBQUART®

MUSIC. DEFINED.

Operators Guide



GMR-2.5

AM/FM Bluetooth® Source Unit

Congratulations on your choice of GMR-2.5 AM/FM Bluetooth Source Unit by MB Quart. For more detailed information about the product, please visit our website at www.MBQuart.com



CAUTION



Always consider consulting a professional audio installer before installing any audio components. Be careful and take your time. Do not let wires make contact with metal edges or hot engine components.

General Information

Marine & Powersports Source Unit

AM/FM Radio
160 Watts Peak Power
Pre Amplifier Unbalanced Line Outputs
Gauge Mount
Splash Proof LCD with Clock

MB Quart Bluetooth Connect

Bluetooth Connection
USB Input
Auxiliary RCA Input

Installation & Power Specifications

4 Channels x 40 Watts (160 Watts Peak Power)
2-7/8" / 73.02mm Total Mounting Depth
3" / 76.2mm Cut Out Diameter

AM / FM Section

USA Frequency: FM87.9 – 107.9MHz / AM530-1710kHz
Europe Frequency: FM87.5 – 108MHz / AM522 – 1620kHz
Intermediate Frequency: 10.7MHz
Noise Limit Sensitivity: >5uV
Intermediate Frequency Rejection: 50dB

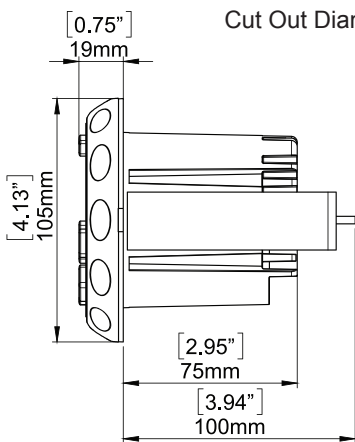
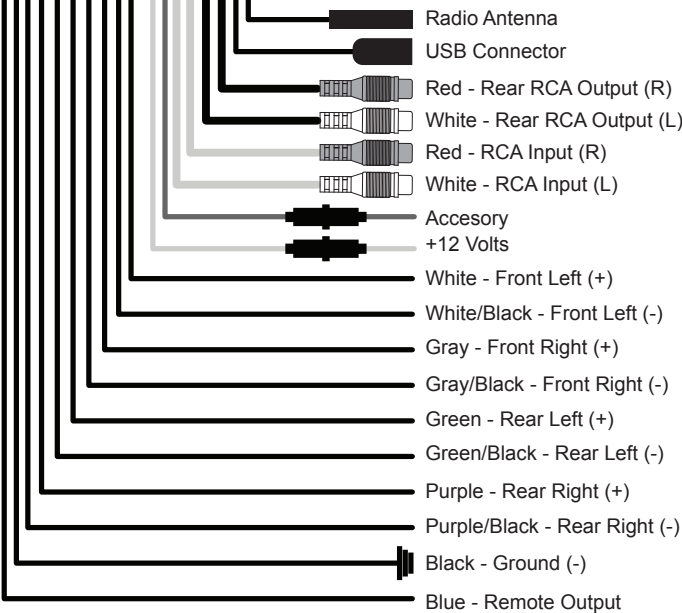
MP3 Section

Signal to Noise Ratio: >55dB
Frequency Response: 20Hz – 20KHz
A/D Conversion Filter: 16BIT

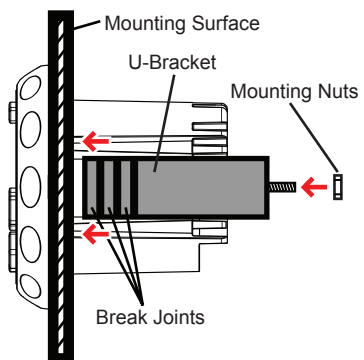
Audio & Other Section

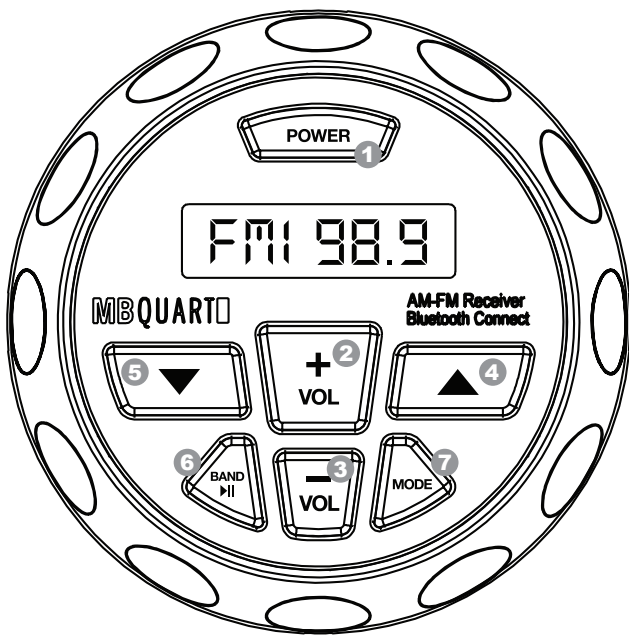
Power Output: 4 x 40 Watts Maxx
Power: DC +12 Volt Battery
Load Impedance: 4 - 8 Ohms / Channel

Wiring & Mounting



Cut Out Diameter: 3" / 76.2mm





Controls

- 1 POWER Button**
 -Press the POWER button to power on the unit.
 -Press the POWER button to mute the audio.
 -Press and hold the POWER button to power the unit off.
- 2 VOL+ Button**
 -Press the VOL+ button to increase the volume.
- 3 VOL- Button**
 -Press the VOL- button to decrease the volume.
- 4 ▲ Button**
 -Press the ▲ button to track up.
- 5 ▼ Button**
 -Press the ▼ button to track down.
- 6 BAND ►|| Button**
 -Press the BAND button to switch between AM & FM in Radio mode.
 -Press the BAND button to play / pause in USB mode.
- 7 MODE Button**
 -Press the MODE button to switch between RADIO / BT / MUSIC / USB / AUX IN.
 -Press and hold the MODE button for 2 seconds to access the Adjustment Menu.

Basic Operation

Radio (AM/FM) Operation

- Press BAND button to switch between AM & FM.
- Press the ▲ or ▼ buttons less than 2 seconds to automatically seek the next / previous strong radio stations.

Apple Control / USB / MP3 Operation

- Insert a USB device and the unit will read the music files automatically.
- Press the ▲ or ▼ buttons to play next / previous song.
- Press and hold the ▲ or ▼ buttons for more than 2 seconds to fast forward / rewind the song.
- Press the ►|| button to pause / resume the current song.

Bluetooth Operation

This unit supports Bluetooth for wireless music streaming from a mobile device.

BT Connection Function:

- Power on your GMR-2.5 unit
- Turn on the Bluetooth on your device.
- Scan for the Bluetooth Unit "MB QUART" on your mobile device.
- Select "MB QUART" and the connection will then be made automatically.

Note: Some Bluetooth devices require inputting a pass code for connection. Please input code "0000" and the connection will be made automatically.

Note: Once the unit has made a connection with your Bluetooth device for the first time, the unit can then connect to your Bluetooth device automatically within a valid range.

BT Audio Function:

- Press the ▲ or ▼ buttons for previous / next song.

Clock Display & Adjustment

- Press and hold the BAND button for 2 seconds to display the clock.
- When the clock is displayed, press and hold the BAND button until the hour number is flashing, then use the VOLUME buttons to adjust the hour.
- Once the hour is set, press the BAND button until the minute numbers are flashing.

Adjustment Menu

To access the Adjustment menu press and hold the MODE button for 2 seconds and then press the MODE button to switch between BAS / TRE / FAD / LOUD / EQ / AREA USA-EUR / TIME MODE / BEEP.

Equalization (EQ)

-Use the VOLUME buttons to select EQ as FLAT, CLASSIC, POP or ROCK. Default setting is "OFF."

Area Tuning

-This option allows you to select the appropriate frequency spacing for your location (USA or Europe).
-Use the VOLUME buttons to switch between USA and Europe frequencies.

Time Format

-Use the VOLUME buttons to switch between 12 hour (USA) and 24 hour (Europe) clock.

BASS Level

-Use the VOLUME buttons to adjust the Bass Level range from -7 to +7. Default setting is "0."

TREBLE Level

-Use the VOLUME buttons to adjust the Treble Level range from -7 to +7. Default setting is "0."

BALANCE Control

-Use the VOLUME buttons to adjust the Balance Level between the left and right speakers from L7(full left) to R7(full right).

FADER Control

-Use the VOLUME buttons to adjust the FADER between the front and rear speakers from F7(full front) to R7(full rear).

LOUD Control

-Use the VOLUME buttons to select Loudness either ON or OFF. Default setting is "OFF."

BEEP Control

-Use the VOLUME buttons to select if BEEP sound is either ON or OFF. Default setting is "ON."

Diagnosics & Trouble Shooting

| Problem | Cause | Solution |
|------------------------------------|---|--|
| No power | <ol style="list-style-type: none">1. Incorrect wiring2. Fuse is blown3. The wiring harness is not connected | <ol style="list-style-type: none">1. Re-check wiring2. Replace fuse3. Re-check wiring harness connection |
| No sound | <ol style="list-style-type: none">1. Volume is too low2. Speaker connection loose or wired incorrectly | <ol style="list-style-type: none">1. Increase volume2. Double check connection and re-attach |
| No reception | <ol style="list-style-type: none">1. The antenna cable is not connected2. The signals are too weak | <ol style="list-style-type: none">1. Insert the antenna cable securely2. Select a station manually |
| USB stick not reading | <ol style="list-style-type: none">1. Music file is neither MP3 or WMA format | <ol style="list-style-type: none">1. Convert music file format into MP3 or WMA format |
| AUX Input or RCA Output distortion | <ol style="list-style-type: none">1. Volume may be up too much on external device | <ol style="list-style-type: none">1. Lower volume on external device until distortion goes away |

If you have problem or question that wasn't mentioned above please visit our website at MBQuart.com and go to the TEQ Support section or the Frequently asked questions.

FCC Notice

This equipment has been tested and found to comply with the limits for a Class B digital device, pursuant to part 15 of the FCC Rules. These limits are designed to provide reasonable protection against harmful interference in a mobile installation. This equipment generates, uses and can radiate radio frequency energy and, if not installed and used in accordance with the instructions, may cause harmful interference to radio communications. However, there is no guarantee that interference will not occur in a particular installation.

WARNING: Changes or modifications not expressly approved by the party responsible for compliance could void the user's authority to operate the equipment.

This equipment complied with FCC radiation exposure limits set forth for an uncontrolled environment. This equipment should be installed and operated with minimum distance 20cm between the radiator & your body.



MBQuart.com
#MUSICDEFINED

WARRANTY

Maxxsonics USA Inc. warrants this product, to the original consumer purchaser, to be free from defects in material and workmanship for a period of one (1) year from the date of purchase. Maxxsonics USA Inc. will, at its discretion, repair or replace defective products during the warranty period. Components that prove to be defective in materials and workmanship under proper installation and use must be returned to the original authorized Maxxsonics USA Inc. retailer from where it was purchased. A photocopy of the original receipt must accompany the product being returned. The costs associated with removal, re-installation and freight are not the responsibility of Maxxsonics USA Inc. This warranty is limited to defective parts and specifically excludes any incidental or consequential damages connected therewith. To view the full warranty, please visit the website.

MBQuart products are designed and engineered in the USA by
MAXXSONICS®

www.maxxsonics.com

MBQ GMR-2.5 QSG 01 - rev3