

NAUTIC GMR-1

Marine & Powersports Source Unit

Thank you for choosing the MB Quart Nautic GMR-1 Marine & Powersports Source Unit. With proper installation, you are on the path to experiencing your music in a way you only imagined possible. Here at MB Quart, we call it "Music. Defined".

As with any high end technology packed product, we highly recommend choosing an authorized installation facility, which is properly trained with the necessary tools required to ensure many years of enjoyable operation.

PRIMARY FEATURES

Marine & Powersports Source Unit

- AM/FM Radio
- 160 Watts Peak Power
- Pre Amplifier Unbalanced Line Outputs
- Gauge Mount
- Splash Proof Liquid Crystal Display
- Clock

MB Quart Bluetooth™ Connect

- Bluetooth Connection
- USB Input
- Auxiliary RCA Input

Installation & Specification Information

- 4 channels x 40 watts (160 Watts Peak Power)
- 2-7/8" / 73.02mm Total Mounting Depth
- 3-3/16" / 80.962mm Cut Out Diameter

As with all high quality audio products, we recommend professional installation by an authorized MB Quart dealer. Your dealer's knowledge and experience can ensure a problem free and cosmetically integrated installation. If you choose to install the device yourself, please read the entire manual very carefully.

Installation & Mounting Location Tips

The first step is thorough planning before the installation begins.

The GMR-1 chassis requires a 3-3/16" or 80.962mm mounting hole diameter and 2-7/8" or 73.02mm total mounting depth.

It will also require you to be able to access the area behind the chosen mounting location in order to connect the wires and fasten the GMR-1 mounting bracket with screws.

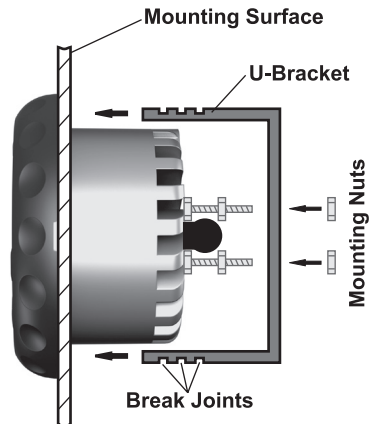
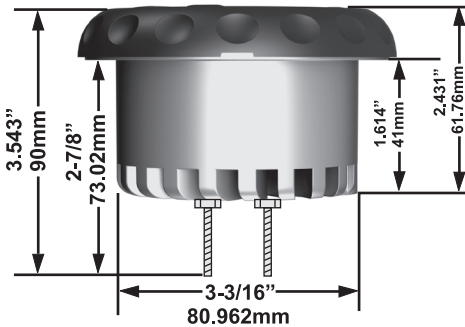
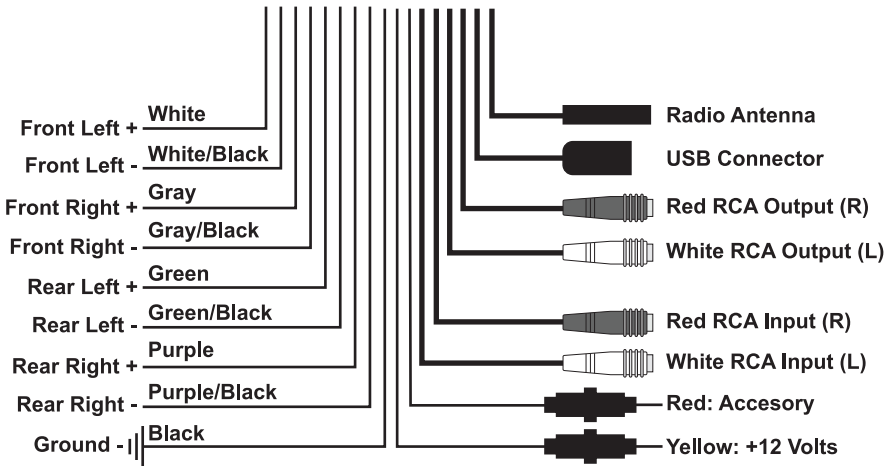
Precautions:

1. Be sure there is adequate clearance behind the mounting location to ensure there are no wires, fuel lines, moving parts or obstacles that will prevent the unit from fitting properly or from being damaged during drilling of the opening.
2. Be sure the chosen mounting location is a flat surface with no curves to ensure a flush water tight fit.
3. To help prevent the possibility of radio interference and damaging heat, choose a location as far away from the engine compartment as possible.
4. Disconnect the battery to ensure there will be no shorted wires during the installation procedure.

Installation Procedure:

1. Drill a 3-1/8" or 79.38mm mounting hole.
2. At this point, you may choose to connect the wires and cables prior to placing the GMR-1 into the mounting hole or mount the GMR-1 first, and then connect the wires behind the mounting location.
3. Connect the wires from the GMR-1 to all required operational wires per the wiring diagram on page 2. We strongly recommend soldering all wires and insulate with shrink tubing or a high quality electrical tape.
4. After placing the GMR-1 into the mounting hole, securely fasten with the "U" bracket and mounting screws provided.

Wire Diagram



Operation

1. Radio (AM/FM) Operation

Press **BAND** button to switch between AM & FM.

Auto Seek tuning Up / Down: Press **▼ ▲** buttons less than 2 seconds to automatically seek the next/previous strong stations.

Manual Tuning Up/Down: Press and hold any of the **▼ ▲** buttons for more than 2 seconds to seek stations up/down step by step.

2. USB/MP3 Operation

A. Insert a USB stick and the unit will read the music files automatically.

B. Press **▲** or **▼** button to play next/previous song.

C. Press and hold **▲** or **▼** for more than 2 seconds to fast forward/backward the song.

D. Press **▶** button to pause/resume the current song.

3. Bluetooth Operation

This unit supports Bluetooth operation for wireless music streaming from a smartphone or similar Bluetooth device.

-Press **Mode** button to switch to the Bluetooth.

-Turn on the Bluetooth on your device.

-Press & hold **MODE** until unit reads **BT PAIR** and then release.

-Press & hold **MODE** until it reads **PAIRING** and then release.

-Using your Bluetooth enabled device, scan for **MB QUART**.

Notice: Some Bluetooth devices require inputting a pass code for connection. Please input code "0000" and the connection will be made automatically.

Bluetooth Audio Function:

-Press **▲** or **▼** button for previous/next song.

-Press the **VOL+** or **VOL-** button for tuning up/down the volume.

Once the unit has made a connection with your Bluetooth device for the first time, the unit can then connect to your Bluetooth device automatically within a valid range.

4. Clock Display & Adjustment

-Press and hold the **BAND** button for 2 seconds to display the clock.

-When the clock is displayed, press and hold the **BAND** button until the hour number is flashing, then use the **VOLUME** buttons to adjust the hour.

5. EQ

-Use the **VOLUME** buttons to select EQ as **FLAT**, **CLASSIC**, **POP** or **ROCK**. Default setting is "OFF".

6. Area Tuning

-This option allows you to select the appropriate frequency spacing for your location (USA or Europe).

-Use the **VOLUME** buttons to switch between USA and Europe frequencies.

7. Time Format

-Use the **VOLUME** button to switch between 24 hour (Europe) or 12 hour (USA) clock.

Diagnostics / Trouble Shooting

Problem	Cause	Solution
No power	<ol style="list-style-type: none"> 1. Incorrect wiring 2. Fuse is blown 	<ol style="list-style-type: none"> 1. Re-check wiring 2. Replace fuse
No sound	<ol style="list-style-type: none"> 1. Volume is too low 2. Speaker connection loose or wired incorrectly 3. Output blown 	<ol style="list-style-type: none"> 1. Increase volume 2. Double check connection and re-attach 3. Send unit in for repair
No reception	<ol style="list-style-type: none"> 1. The antenna cable is not connected 2. The signals are too weak 	<ol style="list-style-type: none"> 1. Insert the antenna cable securely 2. Select a station manually
USB stick not reading	<ol style="list-style-type: none"> 1. Music file is neither MP3 nor WMA format 	<ol style="list-style-type: none"> 1. Convert music file format into MP3 or WMA format
AUX input or RCA output distortion	<ol style="list-style-type: none"> 1. Volume may be up too much on external device 	<ol style="list-style-type: none"> 1. Lower volume on external device until distortion goes away
Media device does not work through USB jack	<ol style="list-style-type: none"> 1. USB input only reads USB sticks 	<ol style="list-style-type: none"> 1. Play media device through auxiliary input

Specifications

AM/FM Section:

1. USA Frequency: FM87.9 - 107.9MHz AM Frequency: Am530 - 1710 kHz
Europe Frequency: FM87.5 - 108MHz AM Frequency: AM522-1620kHz
2. Intermediate Frequency: 10.7MHz
3. Noise Limit Sensitivity: >5uV
4. Intermediate Frequency Rejection: 50dB

MP3 Section:

1. Signal to Noise Ratio: >55dB
2. Frequency Response: 20Hz - 20KHz
3. A/D Conversion Filter: 16BIT

Audio & Other Sections:

1. Power Output: 4 x 40 Watts Maxx
2. Power: DC +12 Volt Battery
3. Load Impedance: 4-8 Ohms / Channel

WARRANTY

As the manufacturer of MB QUART car audio products, Maxxsonics USA Inc. warrants to the original consumer purchaser of the product to be free from defects in material and workmanship for one(1) year from the date of purchase.

This product meets the current EU minimum warranty requirements, if purchased in countries of the EU.

To ensure your warranty policy, keep your original receipt proving date of purchase.

All other parts and accessories sold with this product are warranted to be free from defects in materials and workmanship for one(1) year from the date of purchase. Maxxsonics will repair or replace at it's option and free of charge during the warranty period, any system component that proves defective in materials and workmanship under normal installation, use and service provided that the product is returned to the authorized MB QUART dealer from where it was purchased.

A photo copy of the original receipt must accompany the product being returned. In the absence of the above, the warranty is one(1) year from the date of manufacture.

There is no warranty for Unauthorized Internet Sales.

Any damage to the product as a result of misuse, abuse, accident, incorrect wiring, improper installation, alteration of the date code or bar code labels, revolution, natural disaster, or any sneaky stuff because someone messed up, repair or alteration outside of our factory or Authorized Service Centers and anything else you have done that you should not have done is NOT covered.

This warranty is limited to defective parts and specifically excludes any incidental damages connected therewith. This warranty is not construed as an insurance policy.

Warranty on installation labor, removal, re-installation and freight charges are not the responsibility of Maxxsonics USA Inc.

**Check out our videos of new products,
events and technical tutorials at
www.youtube.com/maxxsonicsusainc**

