

Search for articles...

[All Collections](#)   [Product Support](#)   [Source Units](#)   [All-Terrain Bluetooth Stereo \(BT144\)](#)

# All-Terrain Bluetooth Stereo (BT144)

Support Resources for BT144 Bluetooth Audio



Written by Raffi

Updated over a week ago



# What Are You Looking For?

[Overview](#)

[Features](#)

[What's In The Box](#)

[Environment Installation Instructions](#)

[Frequently Asked Questions](#)

[Specifications](#)

[Dimensions](#)

## Overview

The BT144 All-Terrain Bluetooth Stereo is the ultimate in compact, durable audio for any adventure. Designed to fit into small installation environments, including ATVs, UTVs, golf carts, marine environments, and more, the All-Terrain Stereo saves space by omitting a traditional display while increasing its overall durability with waterproof backlit buttons to make music navigation as user friendly as possible. Stream whatever you want via Bluetooth, while a built-in amplifier allows you to power up to 4 speakers/subwoofers at once. Fully waterproof and UV/salt/fog resistant, the BT144 is built tough to prevent any interruptions to your music no matter where adventure takes you.

## Features

- **Bluetooth** Stream music from your favorite device with support for Bluetooth Audio.
- **Compact Screenless Design** This device is perfect for environments with limited dash/panel space. The design does not include a display screen, allowing this stereo to take up as little space as possible.
- **Backlit Button Navigation** This durable stereo features waterproof buttons with LED backlighting for easy navigation.
- **100 Watt Amplifier** Power up to 4 speakers or a combination of speakers and subwoofers thanks to a powerful 100W amplifier. Class A/B amplifier, 2 Ohm stable.
- **12V Triggers Built-In** Control up to two external devices from the stereo or remote control, including amplifiers and deck or spot lighting directly.
- **Multi-Environment Protection** This device is fully waterproof (rated IP65) and UV/salt/fog resistant to ensure reliable performance even in the toughest conditions.
- **2 Year Warranty** This product comes with a two year warranty that can be extended with

product registration online or via the Aquatic AV App.

## What's in the Box?

- BT144 Media Player
- Wiring Harness (AQ-UNH-2)\*
- Four (4) Stainless Steel Mounting Screws
  
- User/Installation Manual
- Mounting Template\*
- Built In Bluetooth Antenna
- \*Retail packaged models only.

## Environment Installation Instructions

- Red wire (+12V DC), black wire (ground).
- Dimensions for the 4 mounting holes: 96mm x 72mm.
- Power supply, if needed, must be 12 V DC and 5 A. Available for purchase from Aquatic AV.

## Frequently Asked Questions

### Q1 How long is the warranty?

A1. The warranty solely covers the original purchase of an Aquatic AV product from an authorized Aquatic AV dealer. The length of warranty is 2 years starting from the purchase date on audio systems, electronics, speakers, and accessories (receipt required).

### Q2. Does it have a built-in amplifier?

A2. Yes, it does. The built-in amplifier is 100 Watt total power.

### Q3. Does the BT144 Stereo support radio listening?

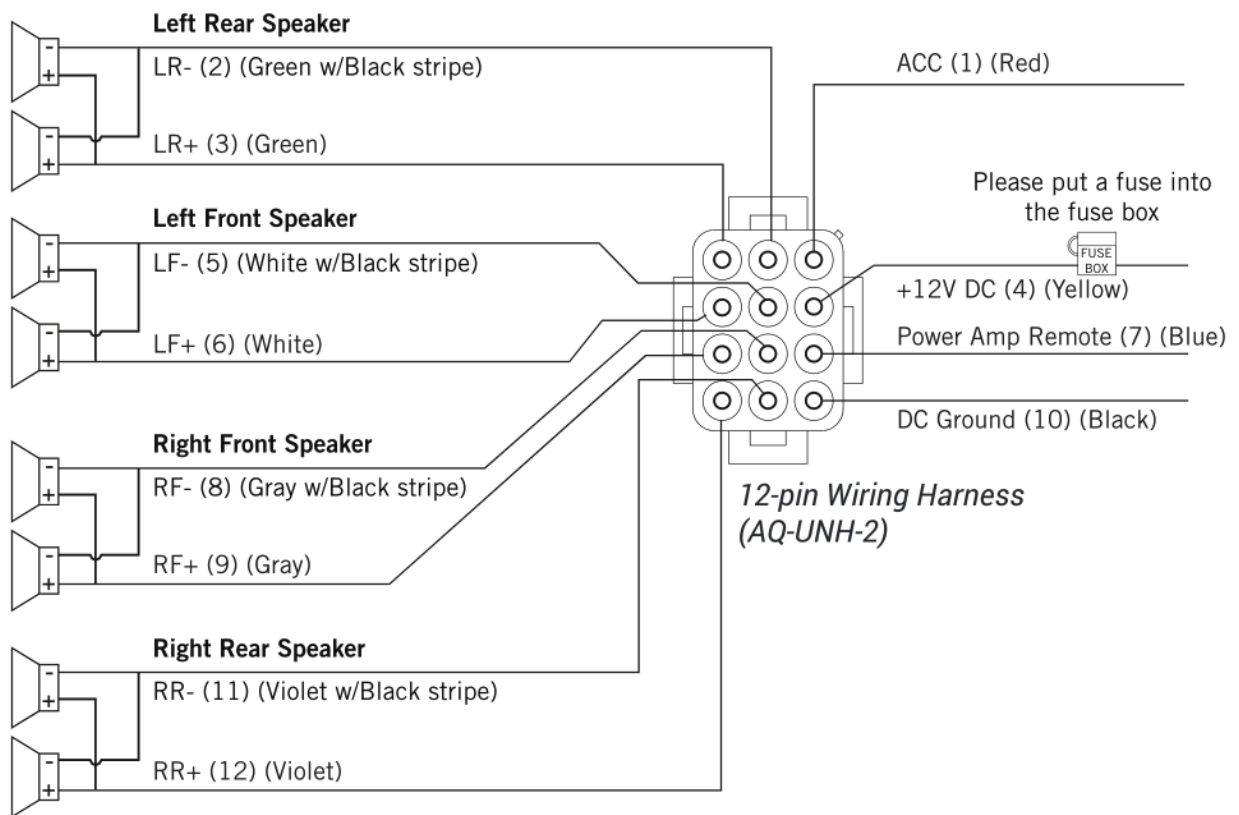
A3. No. The BT144 does not support radio listening. Bluetooth is the only input option for this streamlined device.

### Q4. Does this use the same 12-pin harness as my old model?

A4. Yes, it uses the same 12-pin harness.

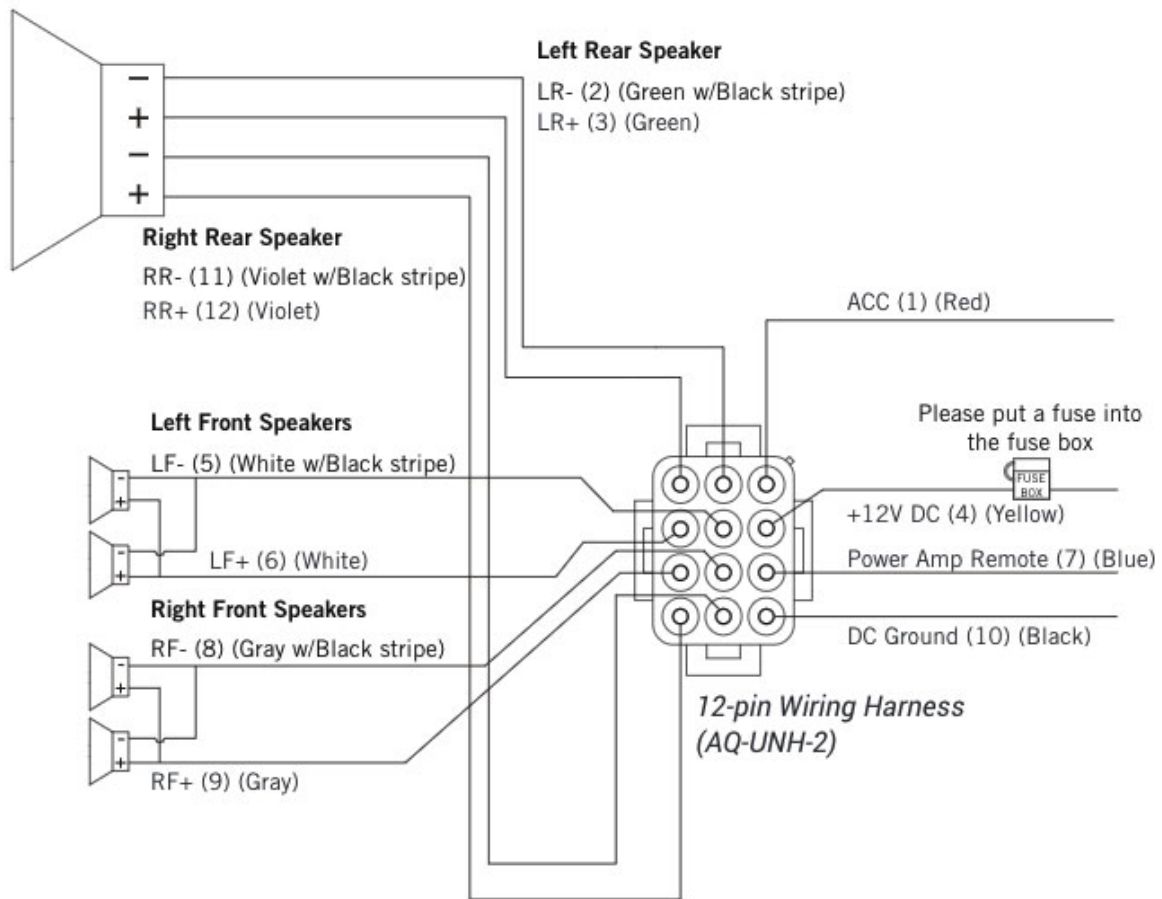
### Q5. What is the diagram of the 12-pin plug-in?

A5.



**Q6. How do I connect a subwoofer?**

A6.



### Q7 How can I reset my BT144?

A7. To reset the stereo, power off the stereo. Plug out the 12-pin connector. This will stop the 12V DC to the stereo. Wait 15 sec. Power on (connect the 12-pin).

## Specifications

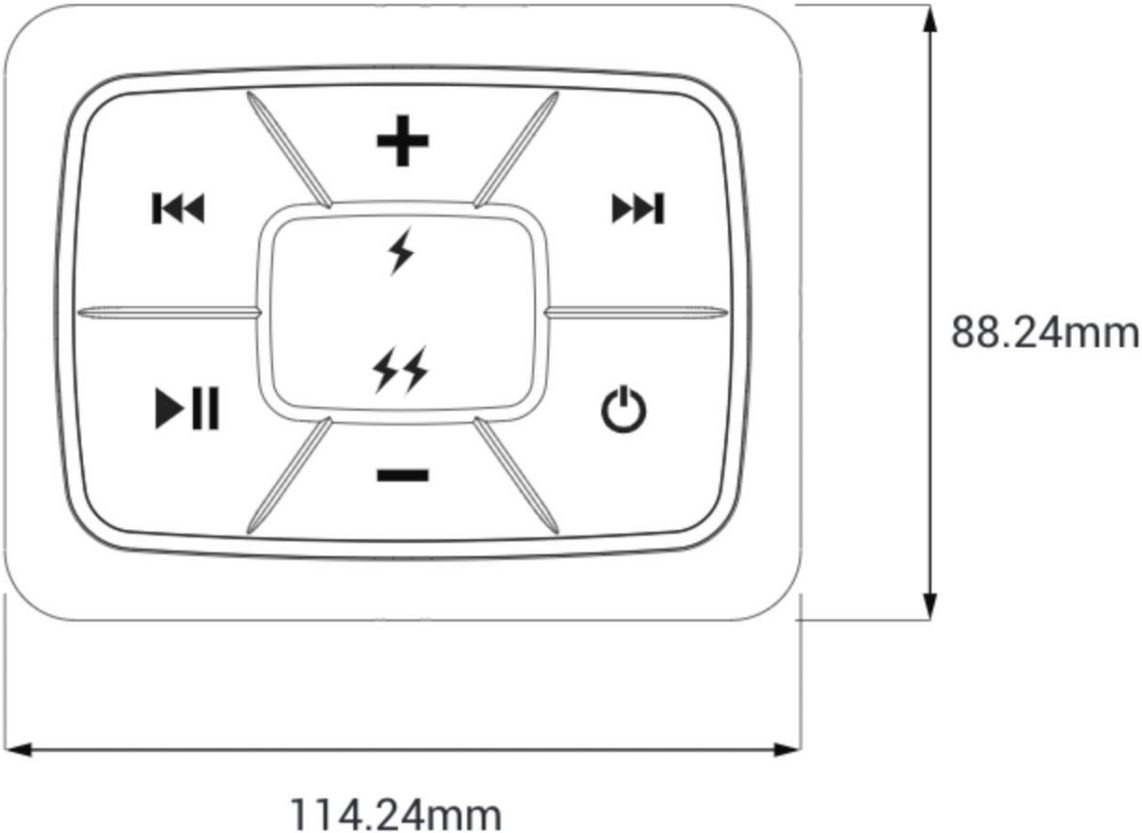
<b>SKU:</b>	BT144
<b>Type:</b>	Compact All-Terrain Stereo
<b>Support Media:</b>	Bluetooth Audio
<b>Device Charging:</b>	No
<b>Display:</b>	None
<b>Display Brightness</b>	N/A
<b>Inputs:</b>	Bluetooth
<b>Outputs:</b>	1x stereo pair RCA (2V)
<b>Amplifier Type:</b>	Class D (4 Ohm stable)
<b>Power (max):</b>	4x 25W (4 Ohms)
<b>Operation Voltage:</b>	9.6V – 14.4V DC
<b>Max Current Draw:</b>	5A
<b>Standby Current Draw:</b>	2uA (Power OFF)
<b>Waterproof:</b>	Yes - IP65
<b>Conformal PCB Coating:</b>	Yes
<b>Certification:</b>	FCC
<b>UV Protection:</b>	500 hours stable, ASTM D4329 compliant
<b>Salt/Fog Protection:</b>	500 hours stable, ASTM B117 compliant
<b>Certification:</b>	CE, RoHS, WEE, FCC
<b>Accessories:</b>	N/A

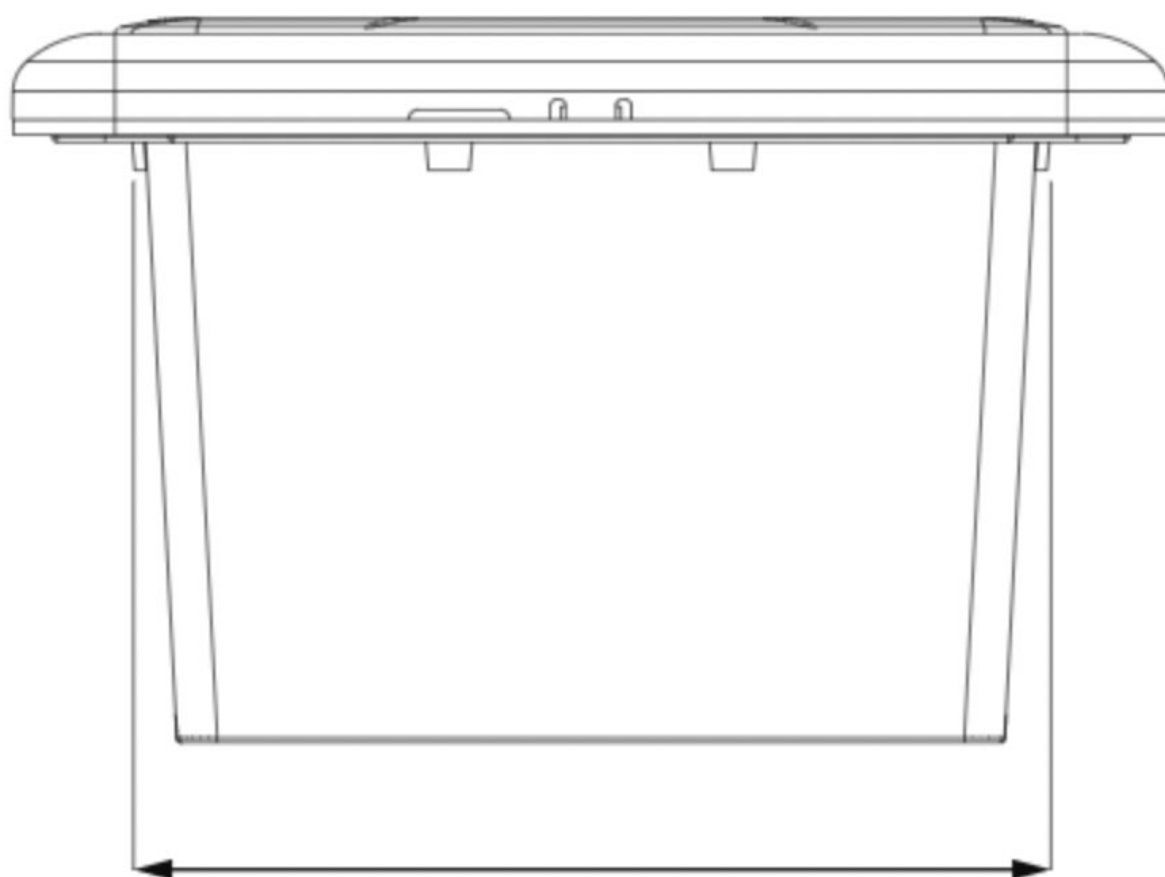
**Additional Features:**

Stainless steel mounting

2x External Triggers (12V DC, 3A)

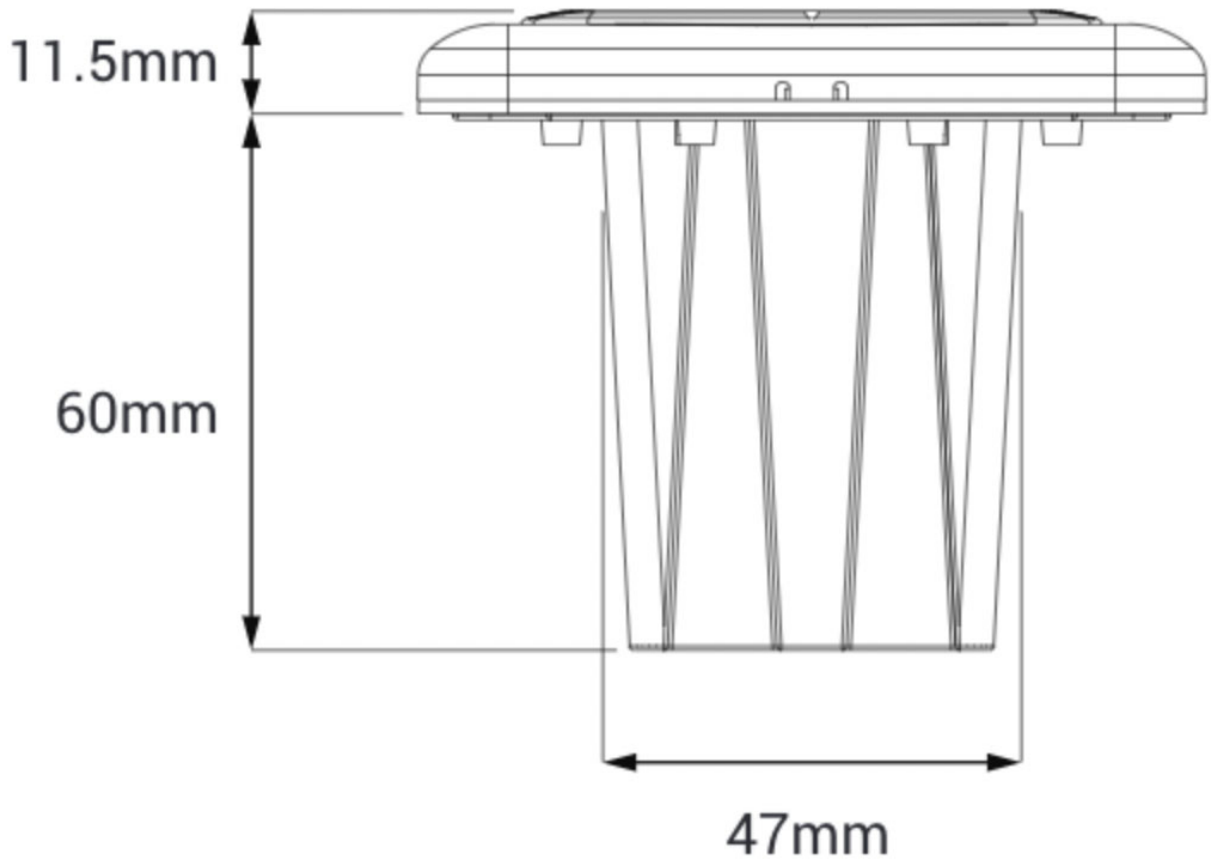
**Dimensions**

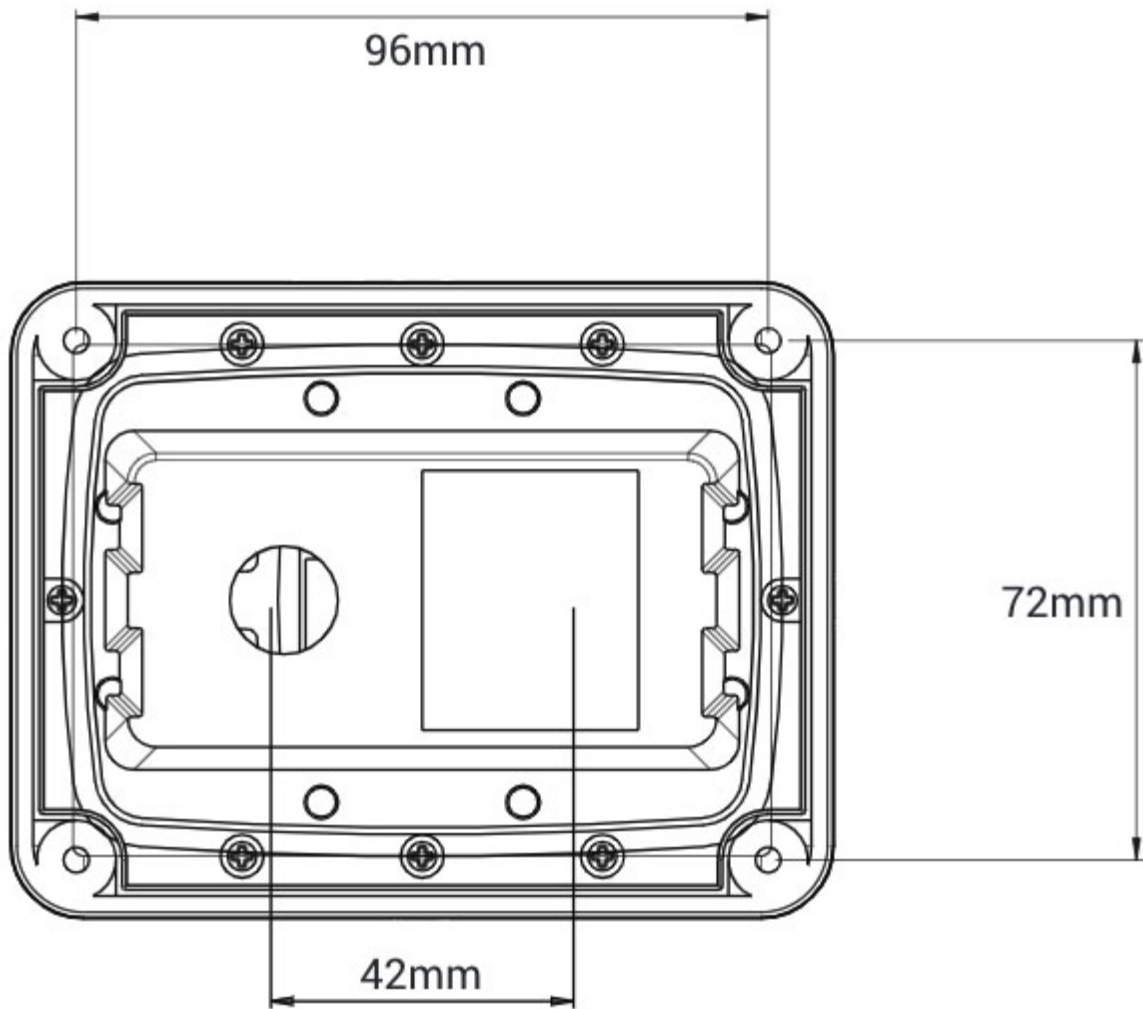




88mm







Drill two 2.5" holes with  
space 42mm apart

Did this answer your question?

## Aquatic AV Support Center

